

# ASSEMBLY INSTRUCTION

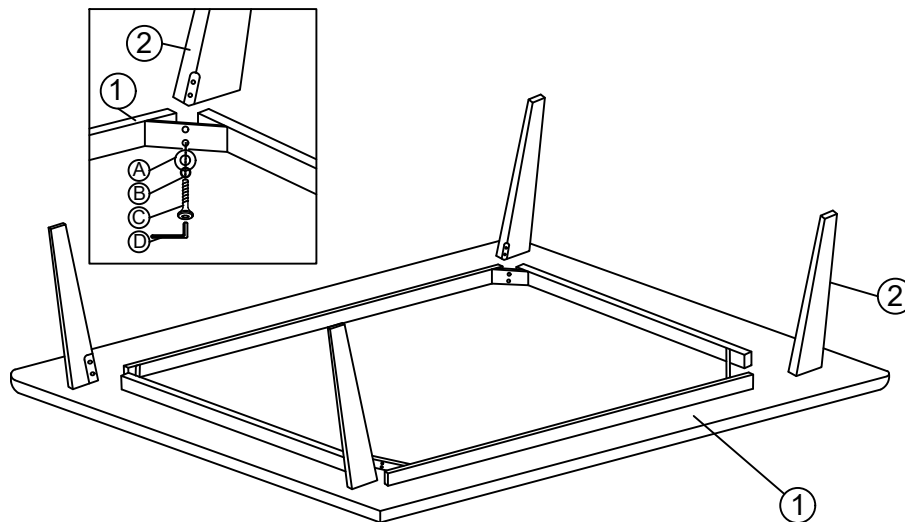
## MODEL : DINING TABLE

### PART LIST

NO	DESCRIPTION	QTY
1	TABLE TOP	1PC
2	LEG	4PCS

### HARDWARE LIST

NO	DESCRIPTION		QTY
A	5 / 16 FLAT WASHER (R/B)	⊙	8PCS
B	5 / 16 SPRING WASHER (R/B)	⊙	8PCS
C	M8 X 70 JCBB BOLT		8PCS
D	M5 ALLEN KEY		1PC



### ASSEMBLY COMPLETED

