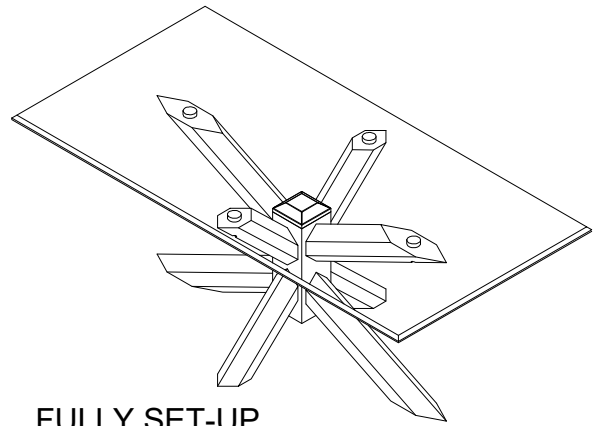


# ASSEMBLY INSTRUCTIONS

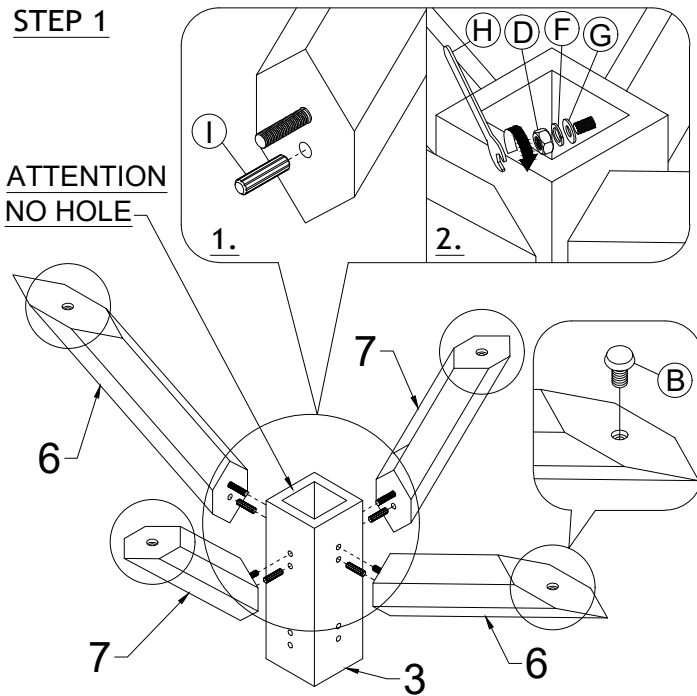
## MODEL : TB 8067

PARTS LIST		
NO	DESCRIPTION	QTY
1	TABLE TOP (GLASS)	1 PC
2	HUB CAP	1 PC
3	HUB DRILLING	1 PC
4	TOP LEG (long)	2 PCS
5	TOP LEG (short)	2 PCS
6	BOTTOM LEG (long)	2 PCS
7	BOTTOM LEG (short)	2 PCS

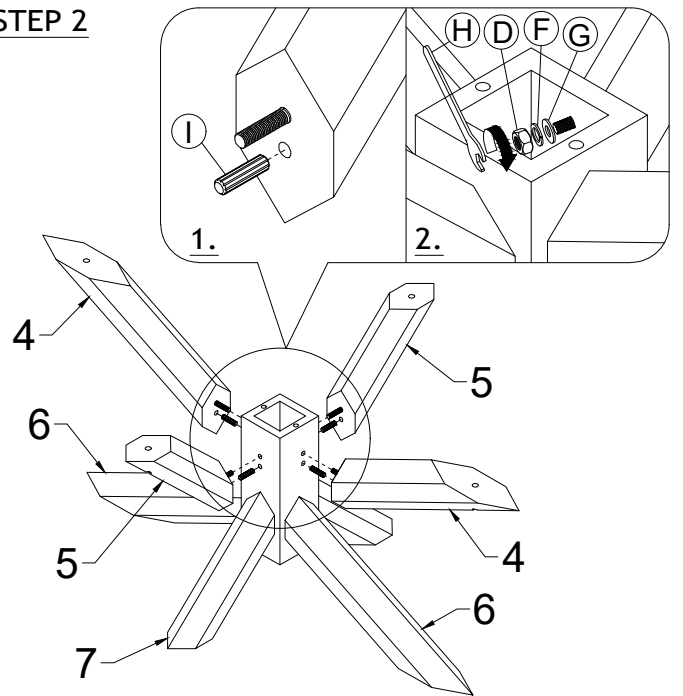
HARDWARE LIST		
NO.	DESCRIPTION	QTY
A	JCBC BOLT M6 x 35mm	4 PCS
B	ADJUST SCREW M6 x 23mm	4 PCS
C	WOOD DOWEL 8M x 20	2 PCS
D	HEX NUT 5/16	8 PCS
E	ALLEN KEY M4 (long)	1 PC
F	SPRING WASHER 5/16	8 PCS
G	FLAT WASHER 5/16 (22mm)	8 PCS
H	SPANNER 13 mm	1 PC
I	WOOD DOWEL 10M x 30	8 PCS



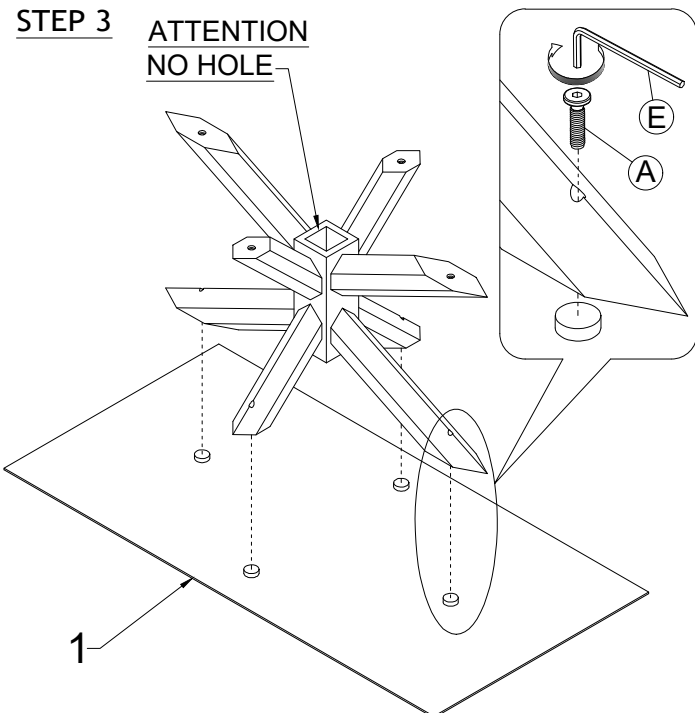
### STEP 1



### STEP 2



### STEP 3



### STEP 4

