

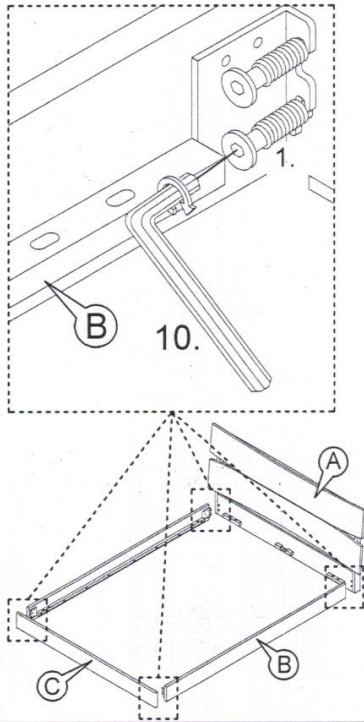
MODEL : CRUZ

ASSEMBLY INSTRUCTION

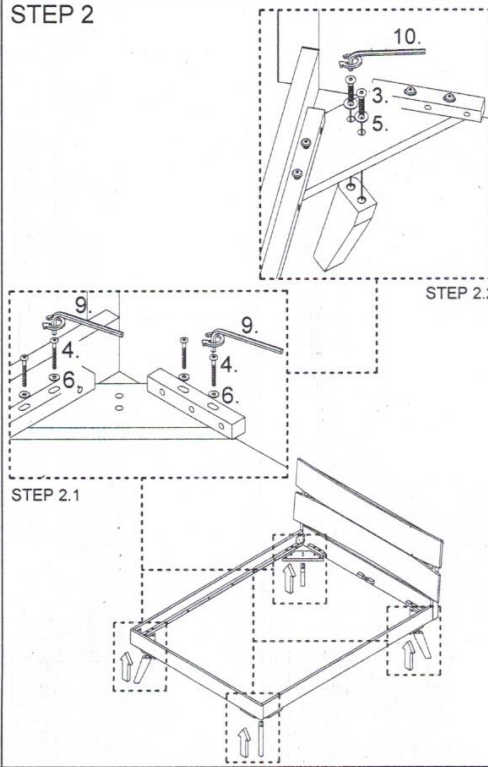
ASSEMBLY TIPS : Remove hardware from box and sort by size. Check that all hardware and parts are present before assembling. Following instruction below in proper sequence to ensure fast, easy correct assembly.

WARNING! : DO NOT FULLY TIGHTEN ALL BOLTS UNTIL ALL PARTS IN PLACE. FAILURE TO FOLLOW THIS INSTRUCTION MAY CAUSE THE BOLTS TO BE MISALIGNED DURING THE ASSEMBLY.

STEP 1



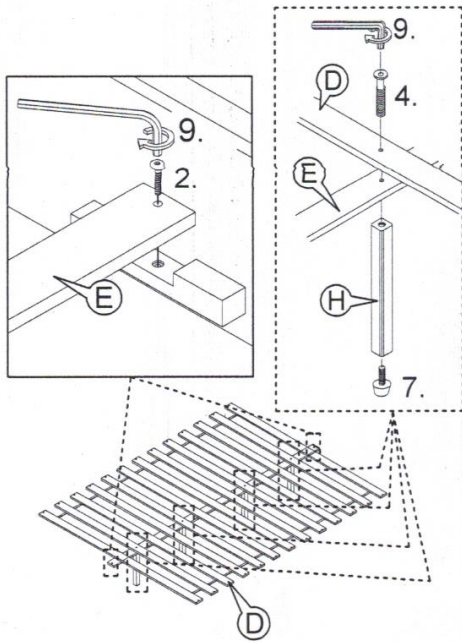
STEP 2



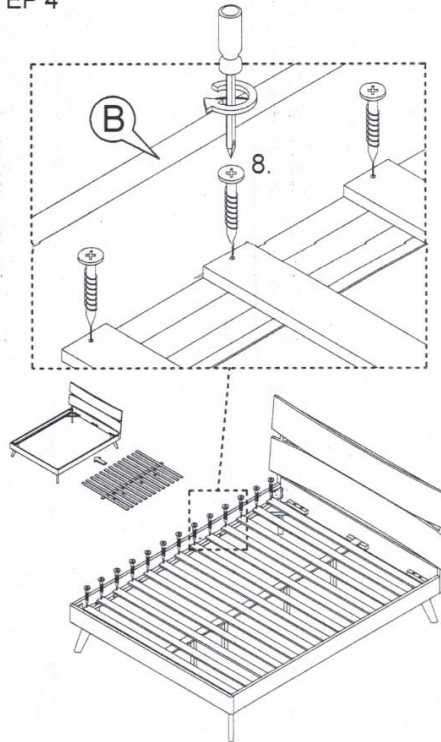
PART LIST

- A. Headboard 1PC
- B. Side Rail 2PCS
- C. Footboard 1PC
- D. Slat Set 1PC
- E. Center Rail 1PC
- F. Corner Block 4PCS
- G. Leg 4PCS
- H. Support Leg 4PCS

STEP 3



STEP 4



HARDWARE LIST

- | | | |
|-----|----------------|-----|
| 1. | JCB8 M8 X 20MM | X8 |
| 2. | JCBC M8 X 30MM | X2 |
| 3. | JCB8 M8 X 50MM | X8 |
| 4. | JCBC M8 X 50MM | X20 |
| 5. | Flat Washer M8 | X8 |
| 6. | Flat Washer M6 | X16 |
| 7. | Adjuster Screw | X4 |
| 8. | CSK M4 x 32MM | X26 |
| 9. | Allen Key M4 | X1 |
| 10. | Allen Key M5 | X1 |