

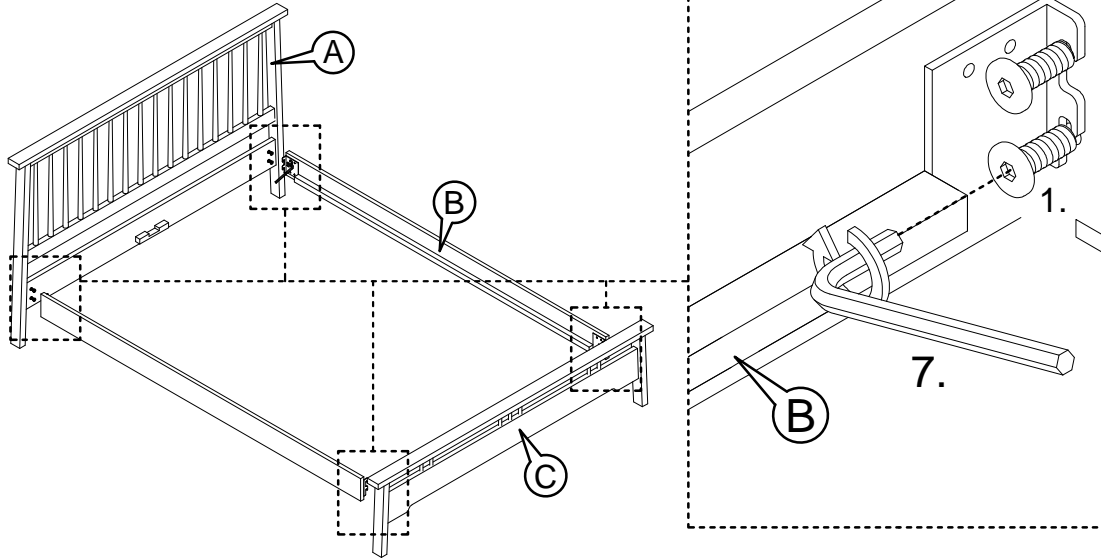
# MODEL : ROME Bed

# ASSEMBLY INSTRUDCION

**ASSEMBLY TIPS** : Remove hardware from box and sort by size. Check that all hardware and parts are present before assembling. Following instruction below in proper sequence to ensure fast, easy correct assembly.

**WARNING!** : DO NOT FULLY TIGHTEN ALL BOLTS UNTIL ALL PARTS IN PLACE. FAILURE TO FOLLOW THIS INSTRUCTION MAY CAUSE THE BOLTS TO BE MISALIGNED DURING THE ASSEMBLY.

## STEP 1



## PART LIST

A.		1PC
B.		2PCS
C.		1PC
D.		1PC
E.		1PC
F.		4PCS

## HARDWARE LIST

1.		X8
2.		X2
3.		X4
4.		X4
5.		X26
6.		X1
7.		X1

