

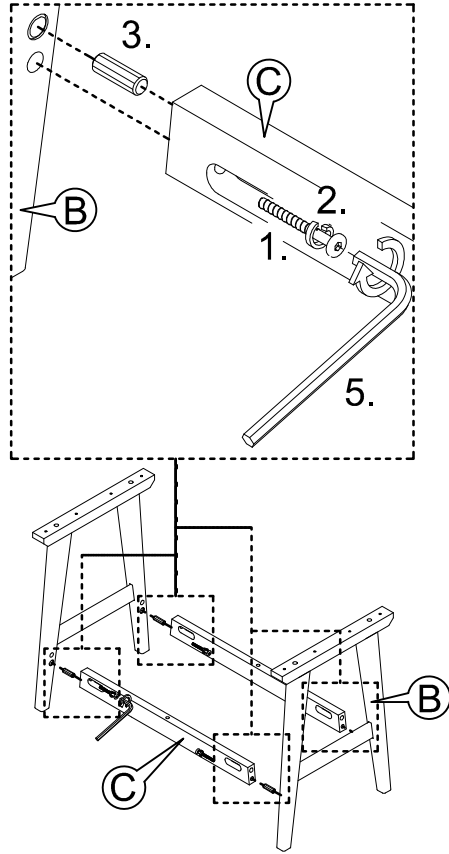
MODEL : ROME Night Stand

ASSEMBLY INSTRUCTION

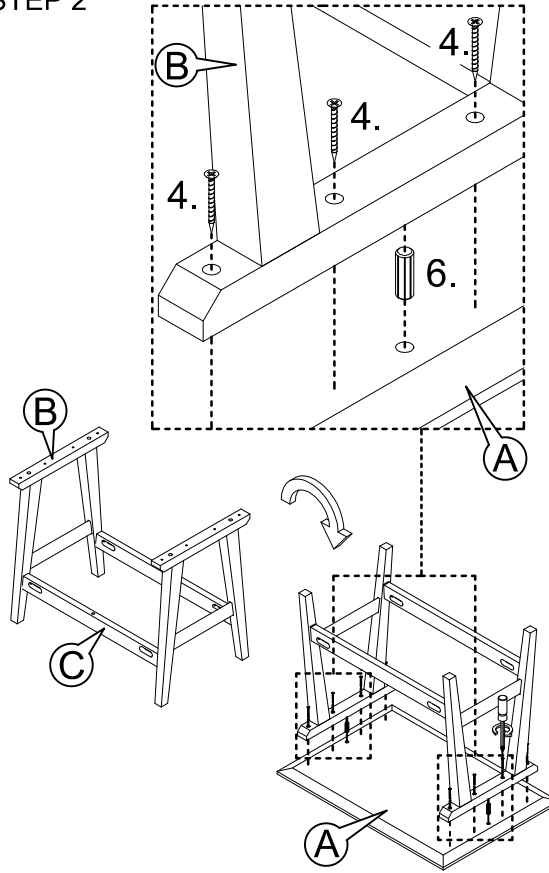
ASSEMBLY TIPS : Remove hardware from box and sort by size. Check that all hardware and parts are present before assembling. Following instruction below in proper sequence to ensure fast, easy correct assembly.

WARNING! : DO NOT FULLY TIGHTEN ALL BOLTS UNTIL ALL PARTS IN PLACE. FAILURE TO FOLLOW THIS INSTRUCTION MAY CAUSE THE BOLTS TO BE MISALIGNED DURING THE ASSEMBLY.

STEP 1



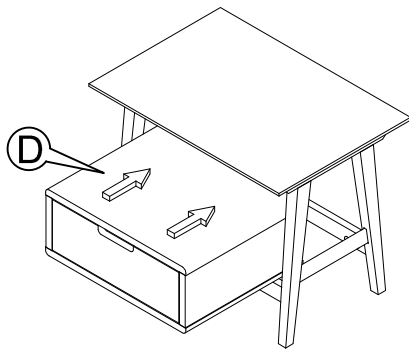
STEP 2



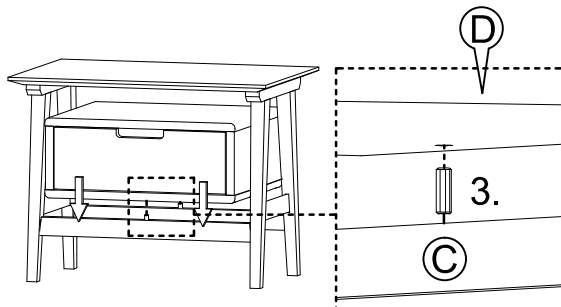
PART LIST

A.		1PC
B.		2PCS
C.		2PCS
D.		1PC
HARDWARE LIST		
1.		X4
2.		X4
3.		X6
4.		X12
5.		X1
6.		X2
7.		
8.		

STEP 3



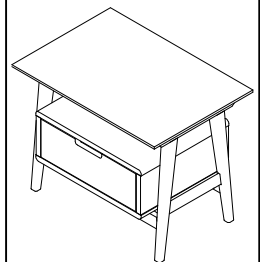
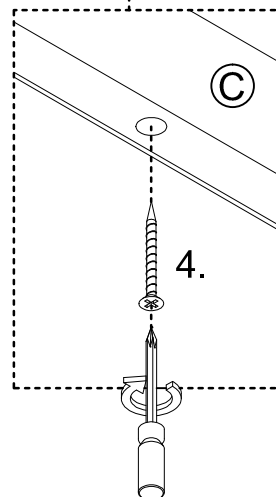
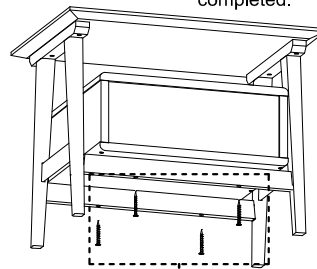
STEP 3.1 : First , Carry the Drawer Box (D) into Side Post (2) inside by careful.



STEP 3.2 : Use the Wood Dowel (3) to fixed Drawer Box (D) and Support Rail (C) , and attach by the CSK Screw (4) (Step 4 .)

STEP 4

Attach the CSK Screw (4) into the Support Rail (C) to completed.



Completed Sample