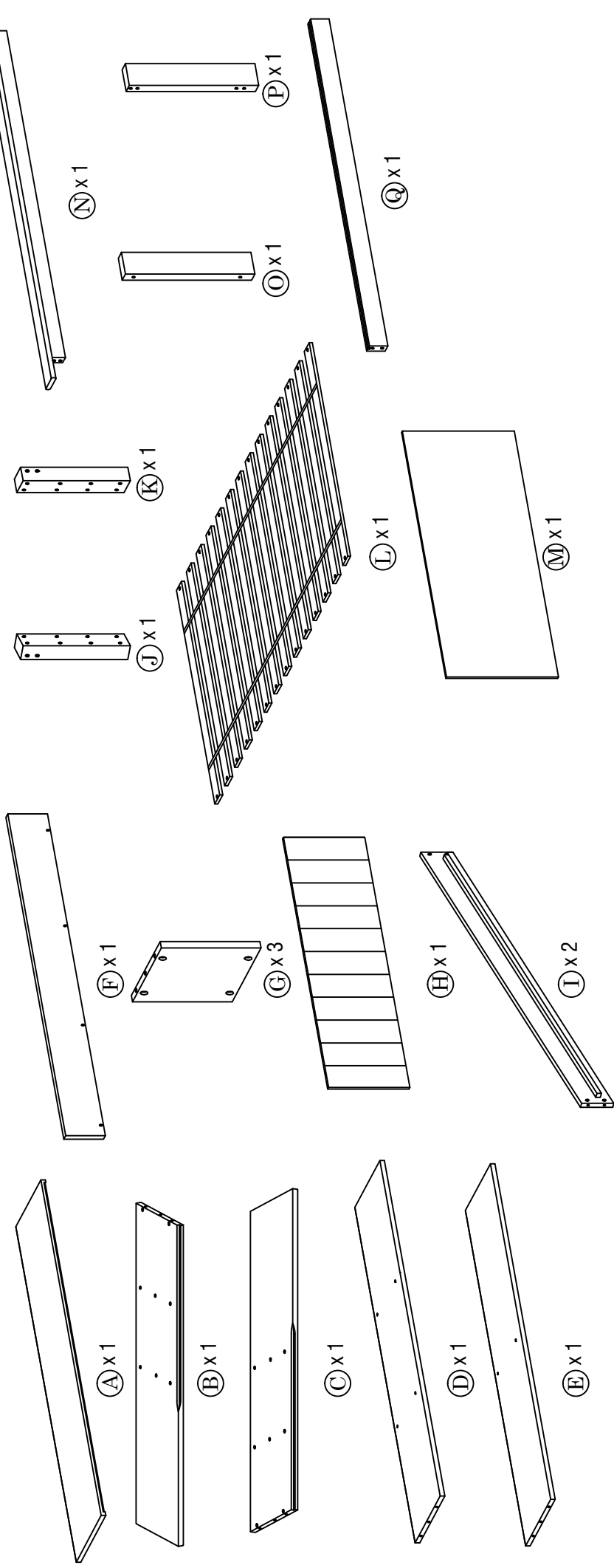
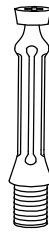

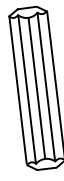





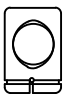
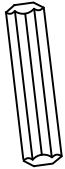


ASSEMBLY INSTRUCTION

KING SINGLE BED (WHITE + NATURAL)

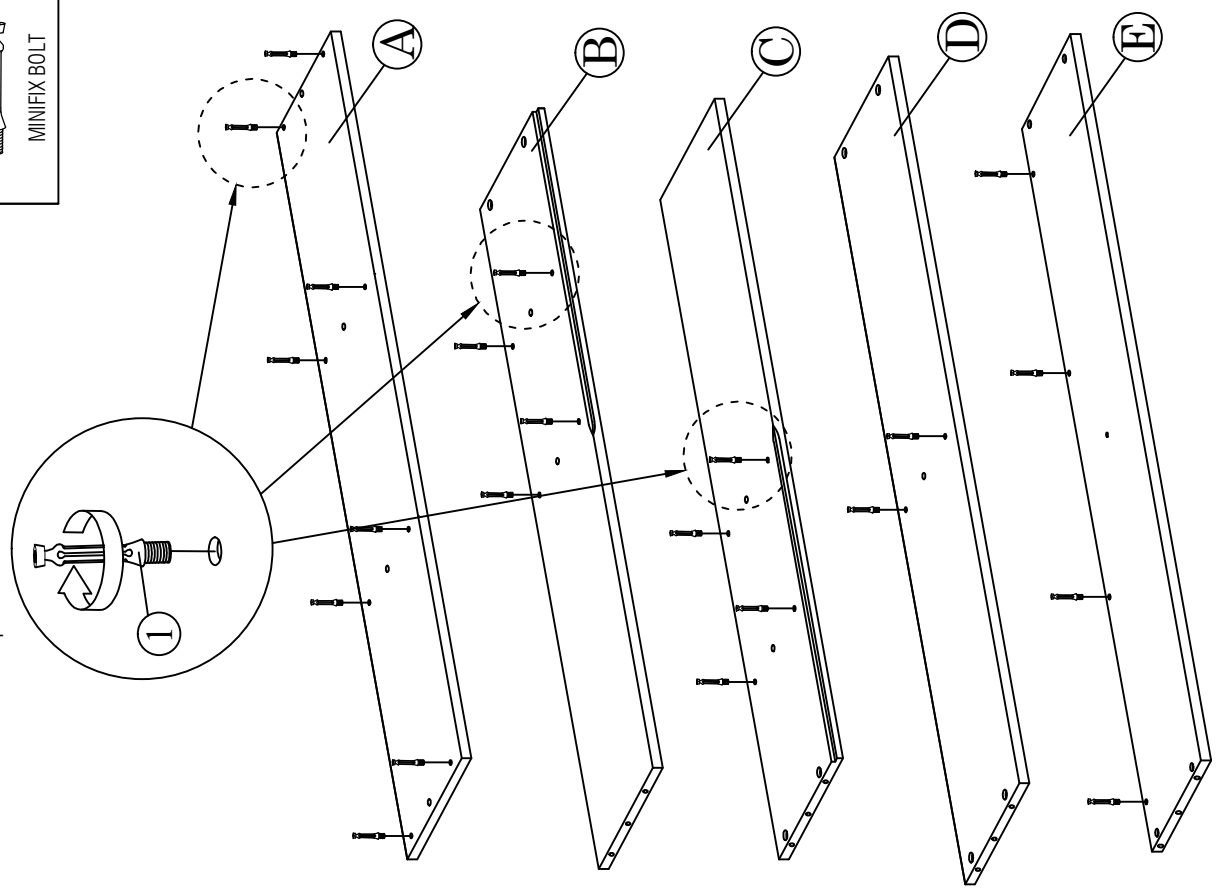
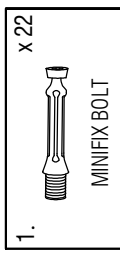


1.	x 22	2.	x 22	3.	x 15	4.	x 12	5.	x 47	6.	x 1
	MINIFIX BOLT		MINIFIX CAM		M10 x 30mm		M3.5 x 16mm		M4 x 32mm		M5 ALLEN KEY
7.	x 1	8.	x 4	9.	x 4	10.	x 4				
	M4 ALLEN KEY WITH BALL		M6 x 100mm		M6 x 13mm		M8 x 30mm				

KING SINGLE BED (WHITE + NATURAL)

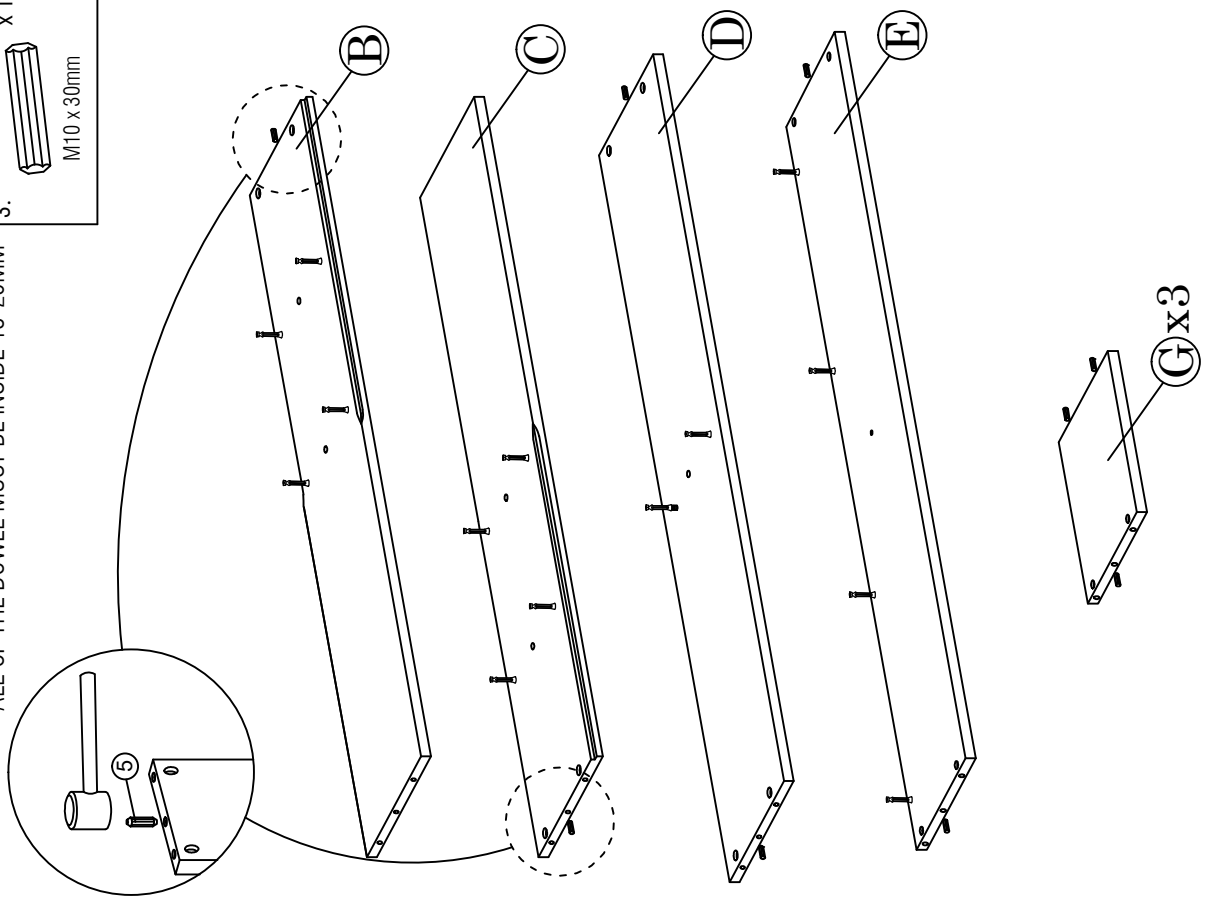
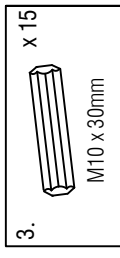
1

Please make sure the minifix bolt is in straight position and screw until flat with wood panel.




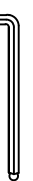
2

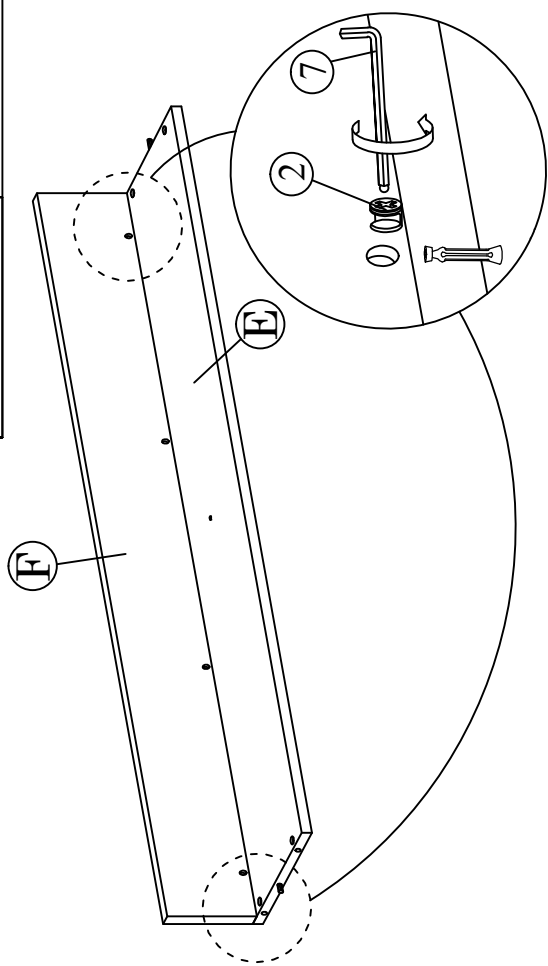
ALL OF THE DOWEL MUST BE INSIDE 18-20MM




KING SINGLE BED (WHITE + NATURAL)

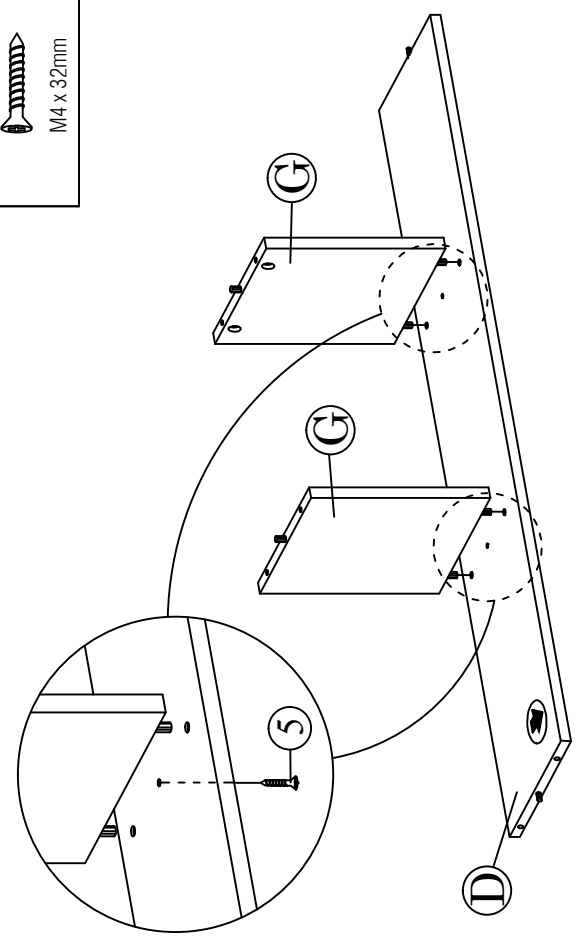
3

- 2.  x4
MINIFIX CAM
- 7.  x1
M4 ALLEN KEY WITH BALL



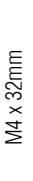


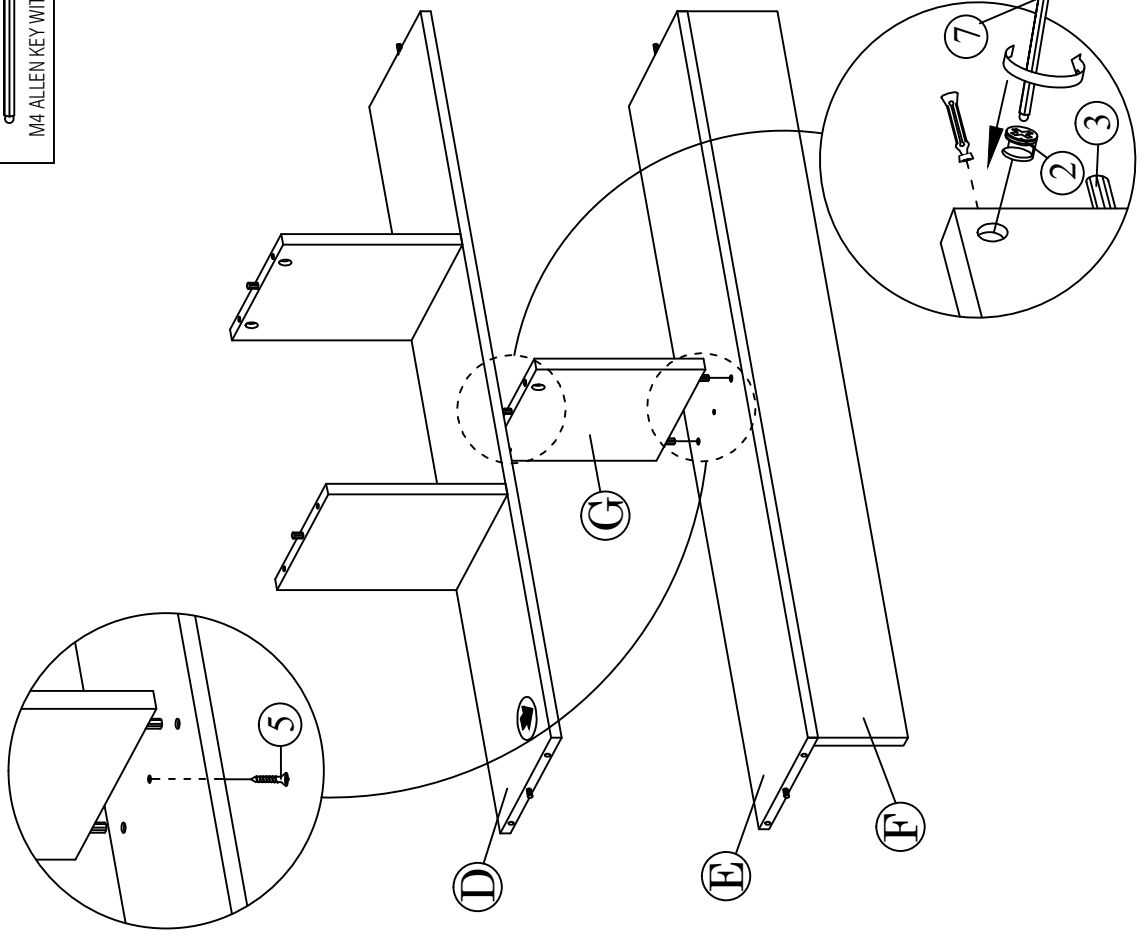
4

- 5.  x2
M4 x 32mm





5

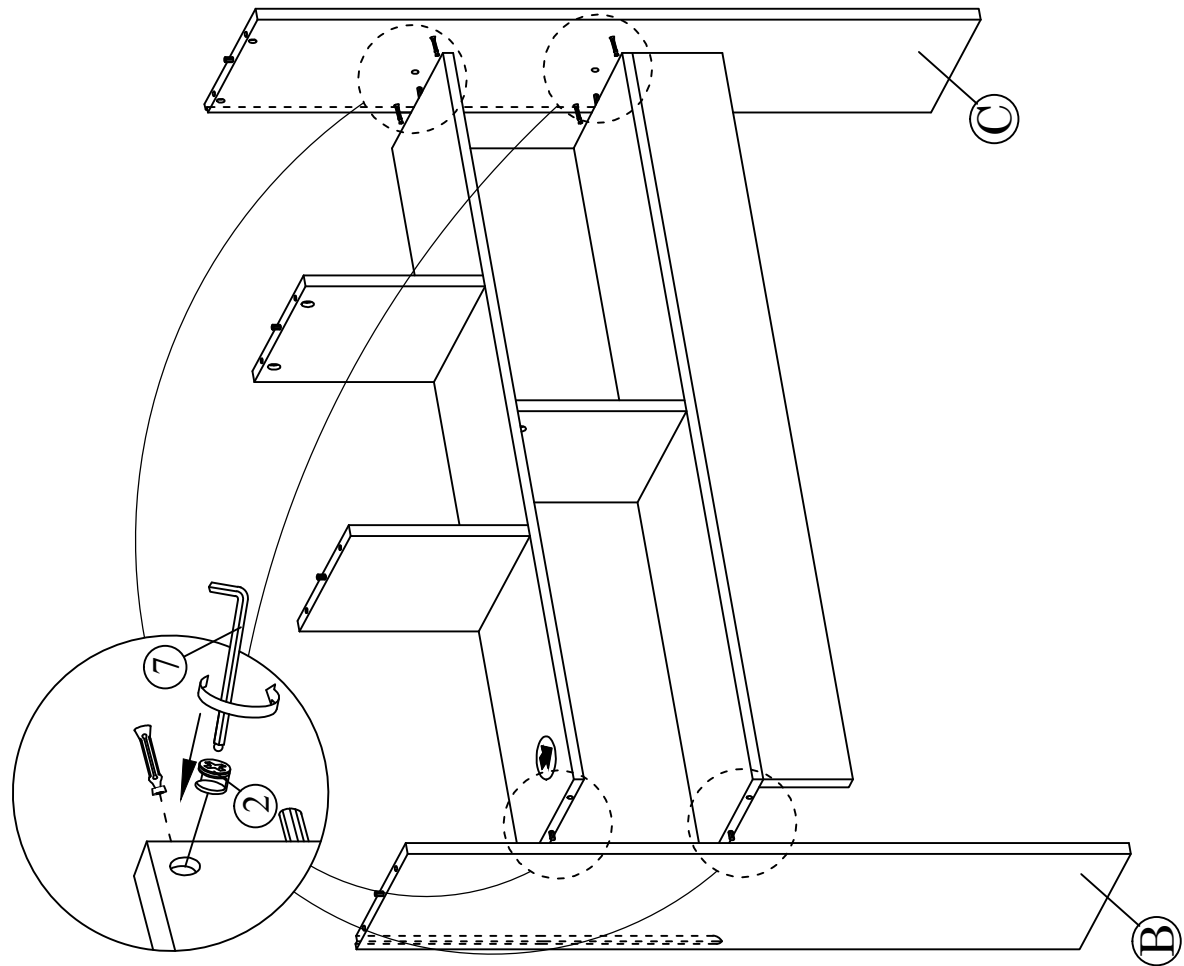
- 2.  x2
MINIFIX CAM
- 5.  x1
M4 x 32mm
- 7.  x1
M4 ALLEN KEY WITH BALL






KING SINGLE BED (WHITE + NATURAL)

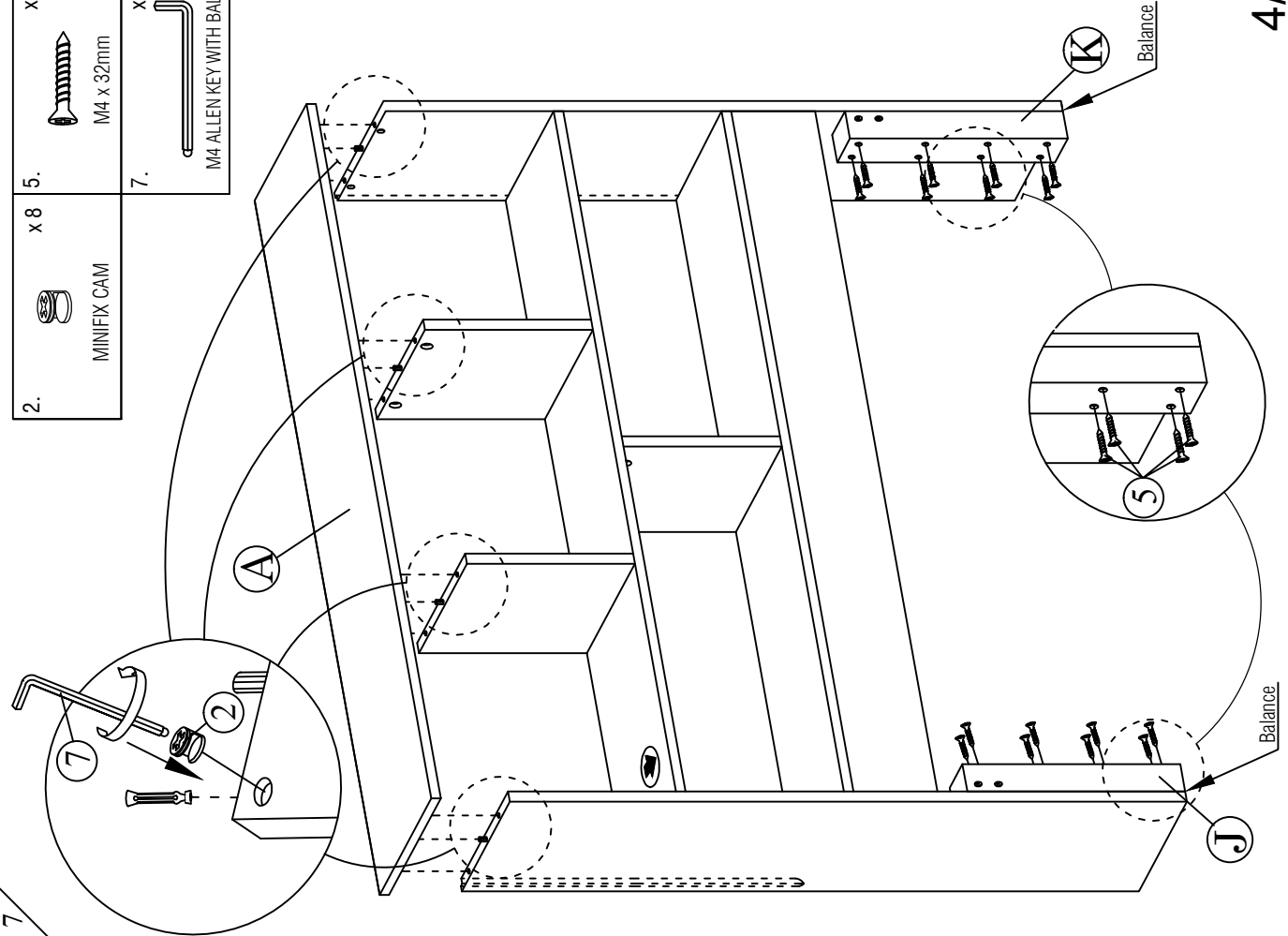
6

- 2.  x 8
MINIFIX CAM
- 7.  x 1
M4 ALLEN KEY WITH BALL




7

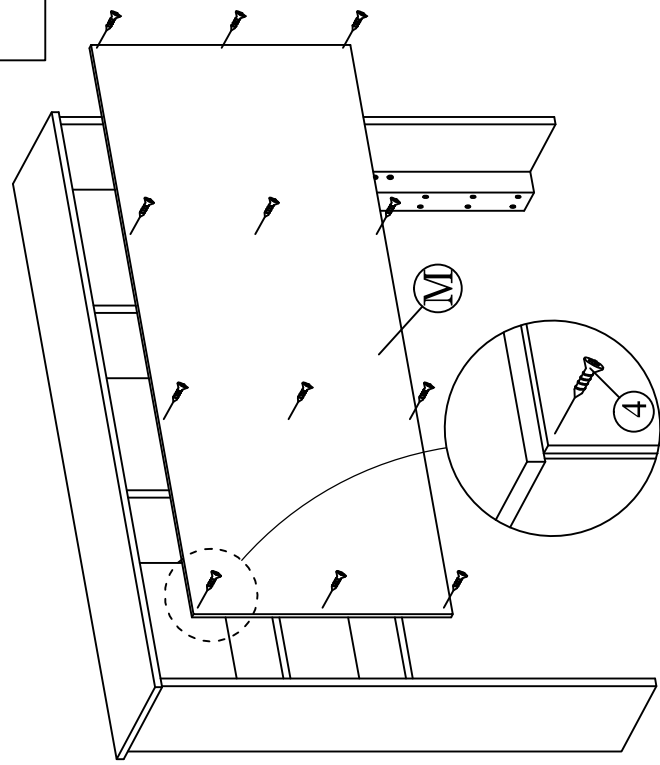
- 2.  x 8
MINIFIX CAM
- 5.  x 16
M4 x 32mm
- 7.  x 1
M4 ALLEN KEY WITH BALL



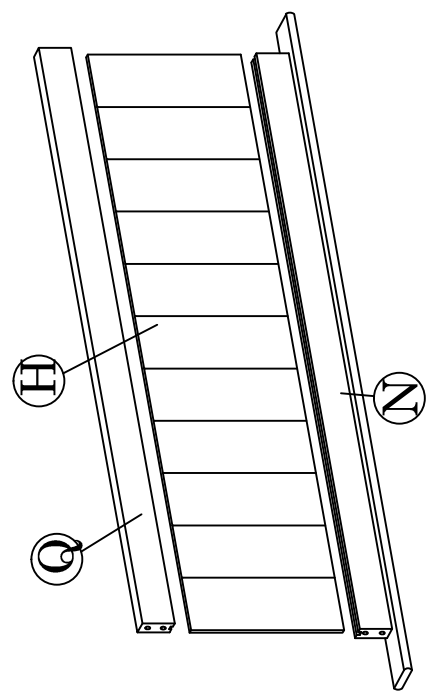
KING SINGLE BED (WHITE + NATURAL)

8



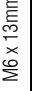

- 4.  x12
M3.5 x 16mm

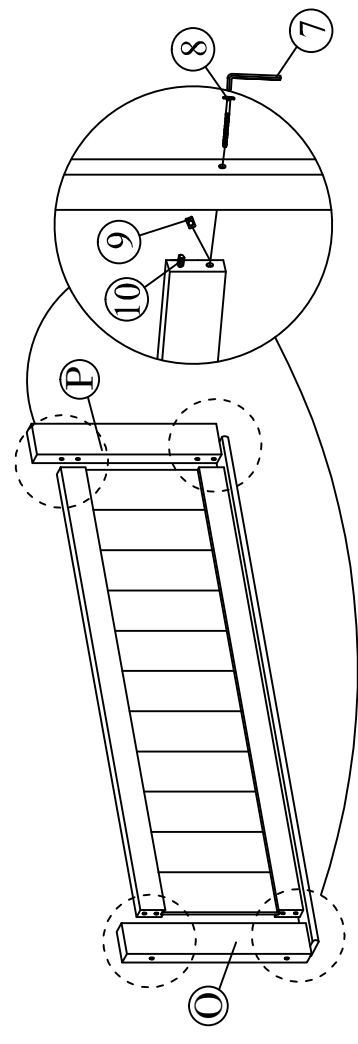


9

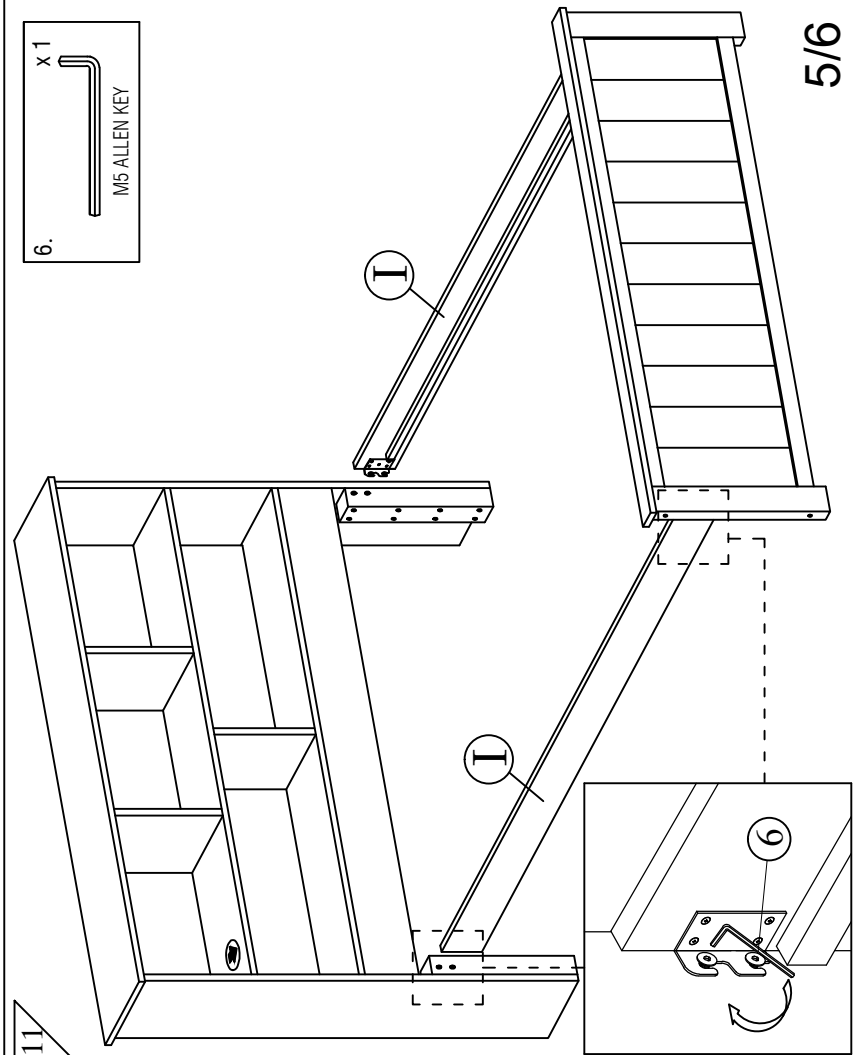


10

- 7.  x1
M4 ALLEN KEY WITH BALL
- 8.  x4
M6 x 100mm
- 9.  x4
M6 x 13mm
- 10.  x4
M8 x 30mm




11

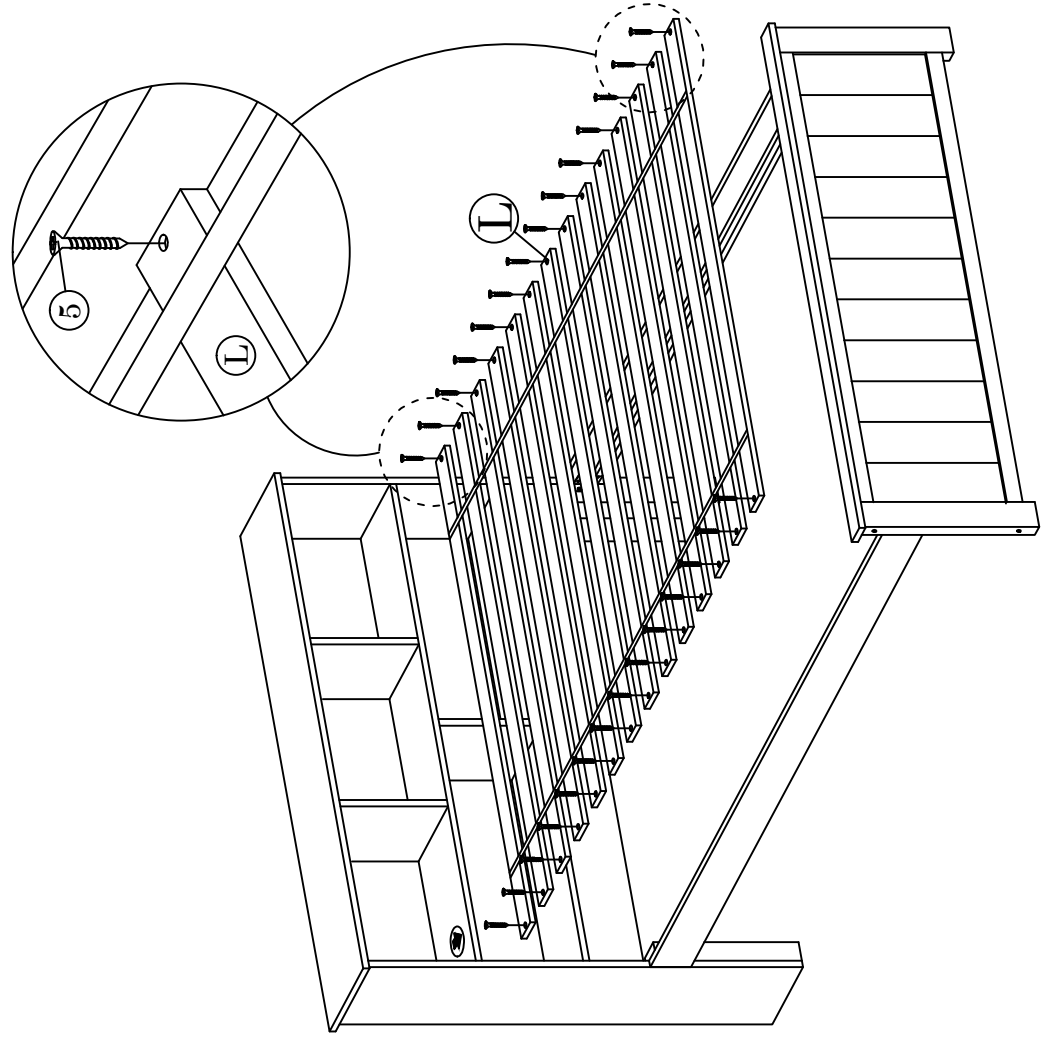


5/6

KING SINGLE BED (WHITE + NATURAL)

12

5.  x 28
M4 x 32mm



13

