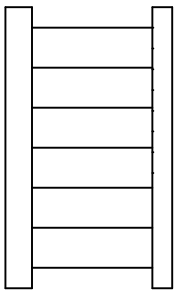
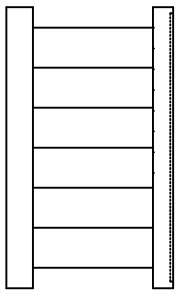


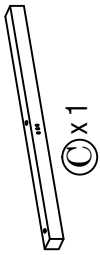
ASSEMBLY INSTRUCTION



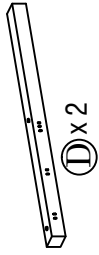
A x 2



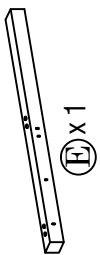
B x 2



C x 1



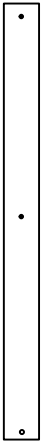
D x 2



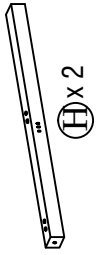
E x 1



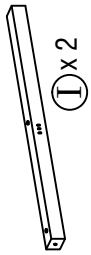
F x 2



G x 2



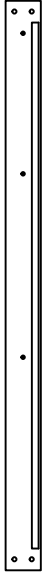
H x 2



I x 2



J x 1



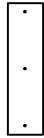
K x 1



L x 1



M x 1



N x 3



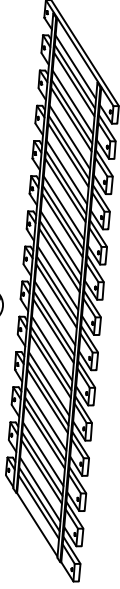
O x 1



P x 1



Q x 3



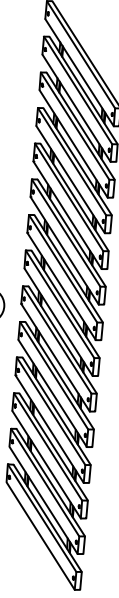
R x 2










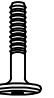
S x 2



T x 2



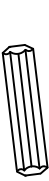
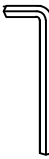


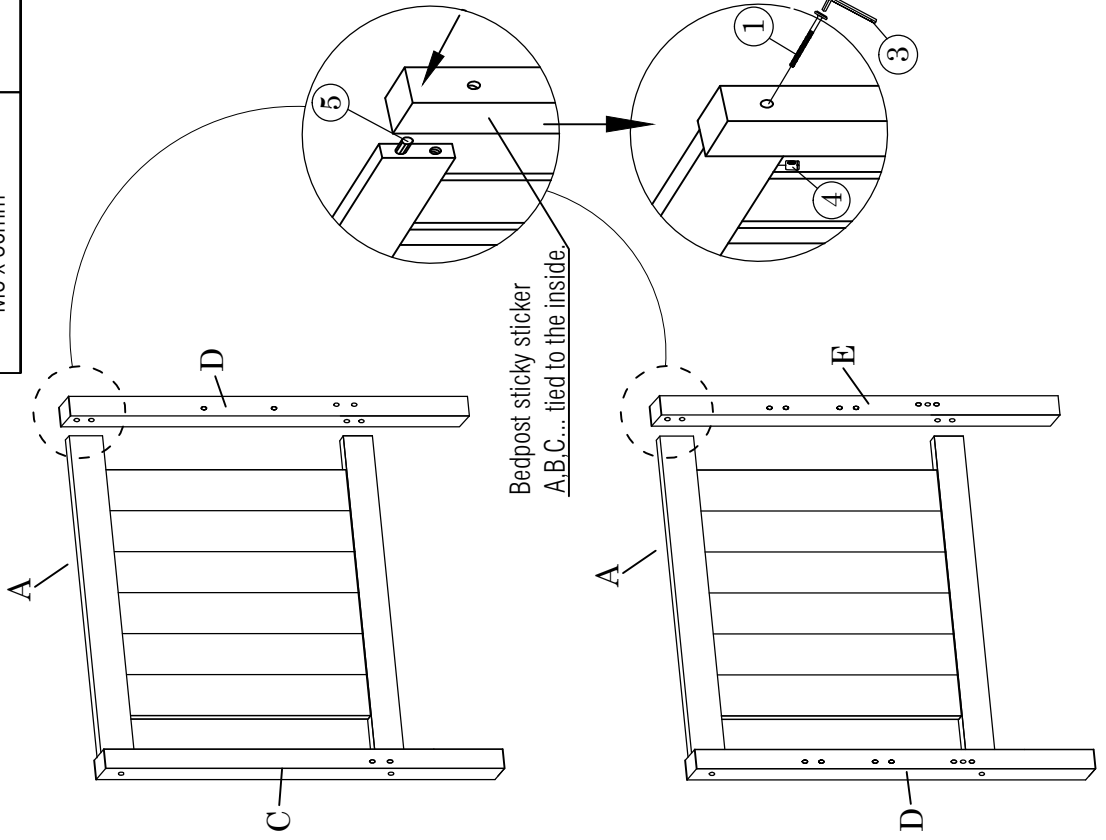
U x 1

1.	x 38	2.	x 9	3.	x 1	4.	x 38	5.	x 44	6.	x 4
	M6 x 90mm		M6 x 35mm		ALLEN KEY		M6 x 13mm		M8 x 30mm		M9.5 x 105mm
7.	x 84	8.	x 12								
	M4 x 32mm		M6 x 50mm								



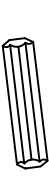
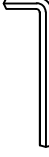
ASSEMBLY INSTRUCTION

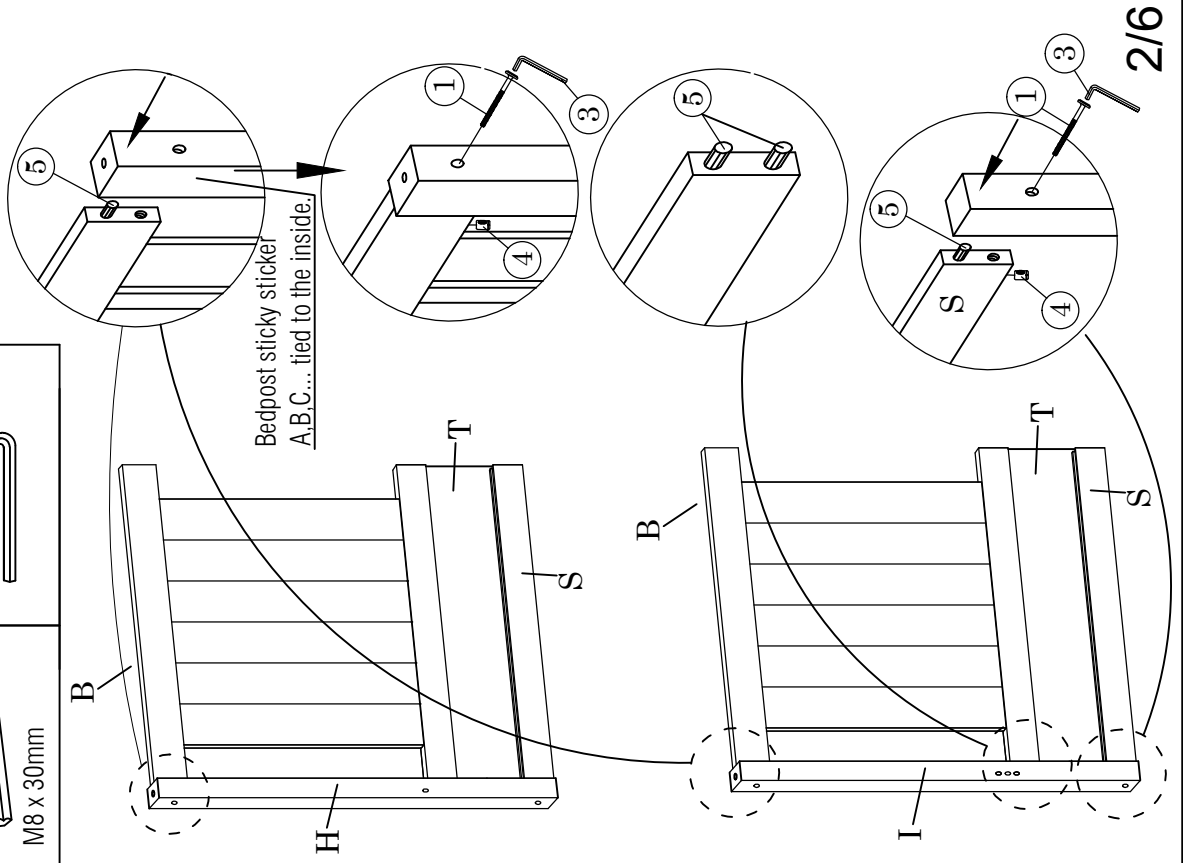
1

1.	 x 8	 x 8
	M6 x 90mm	M6 x 13mm
5.	 x 8	 x 1
	M8 x 30mm	




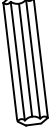
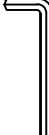
2

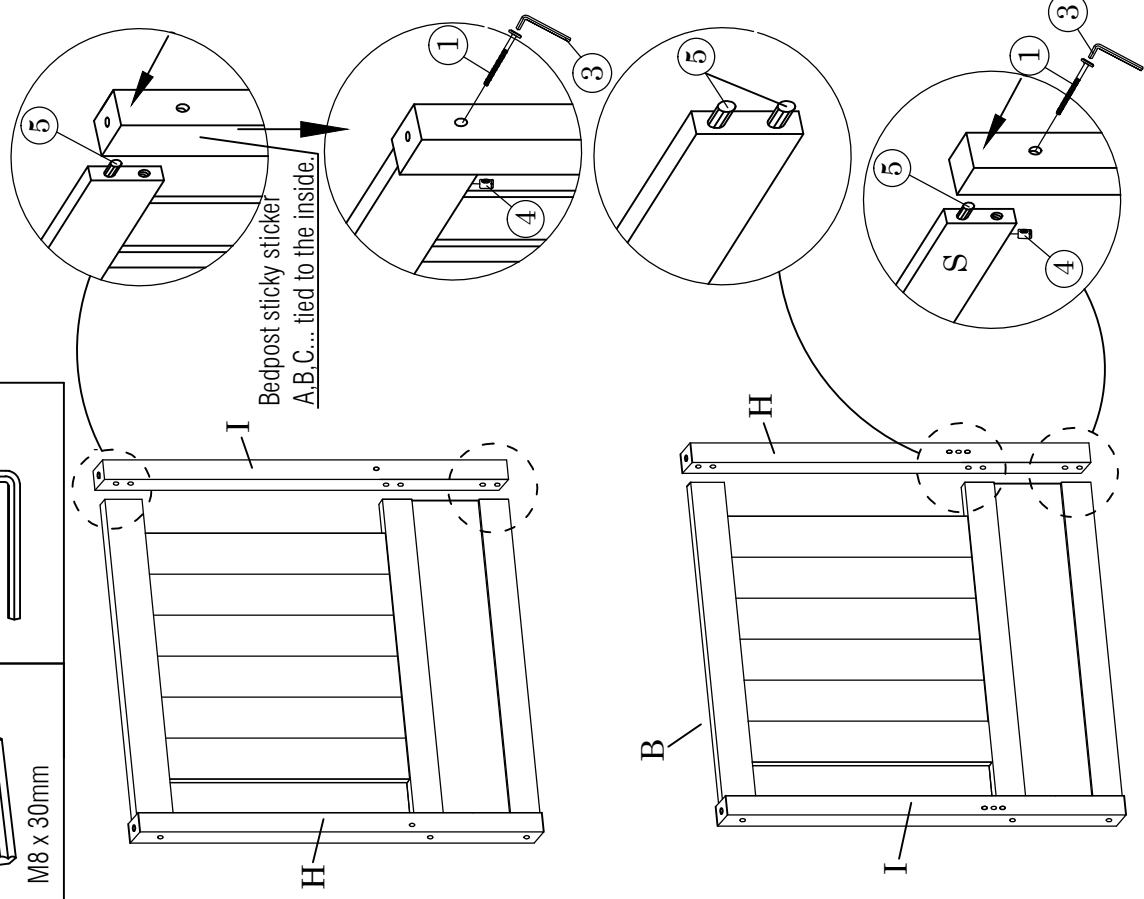
1.	 x 4	 x 4
	M6 x 90mm	M6 x 13mm
5.	 x 8	 x 1
	M8 x 30mm	




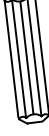

ASSEMBLY INSTRUCTION

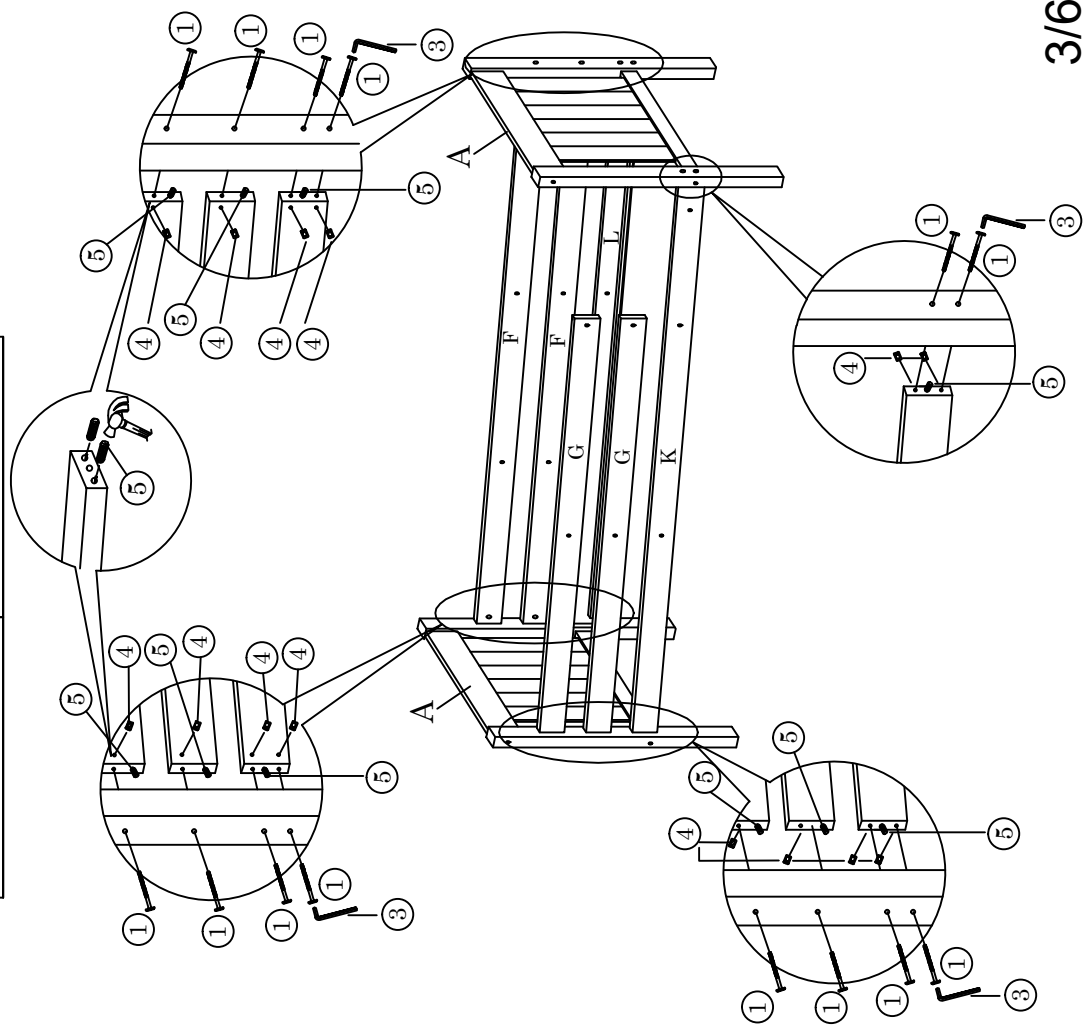
3

1.	x4	x4
	M6 x 90mm	M6 x 13mm
5.	x8	x1
	M8 x 30mm	

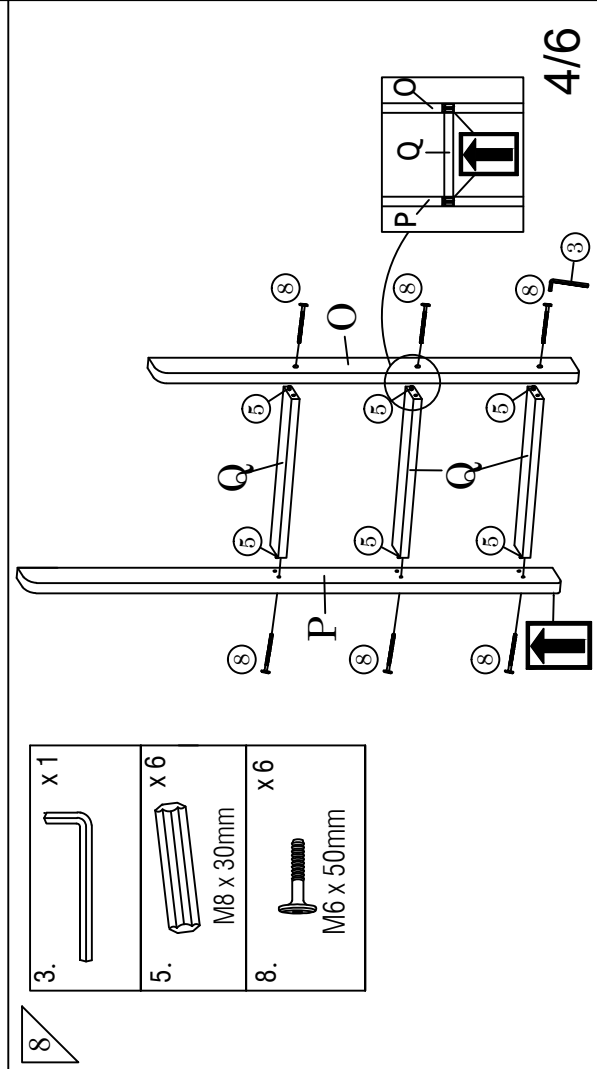
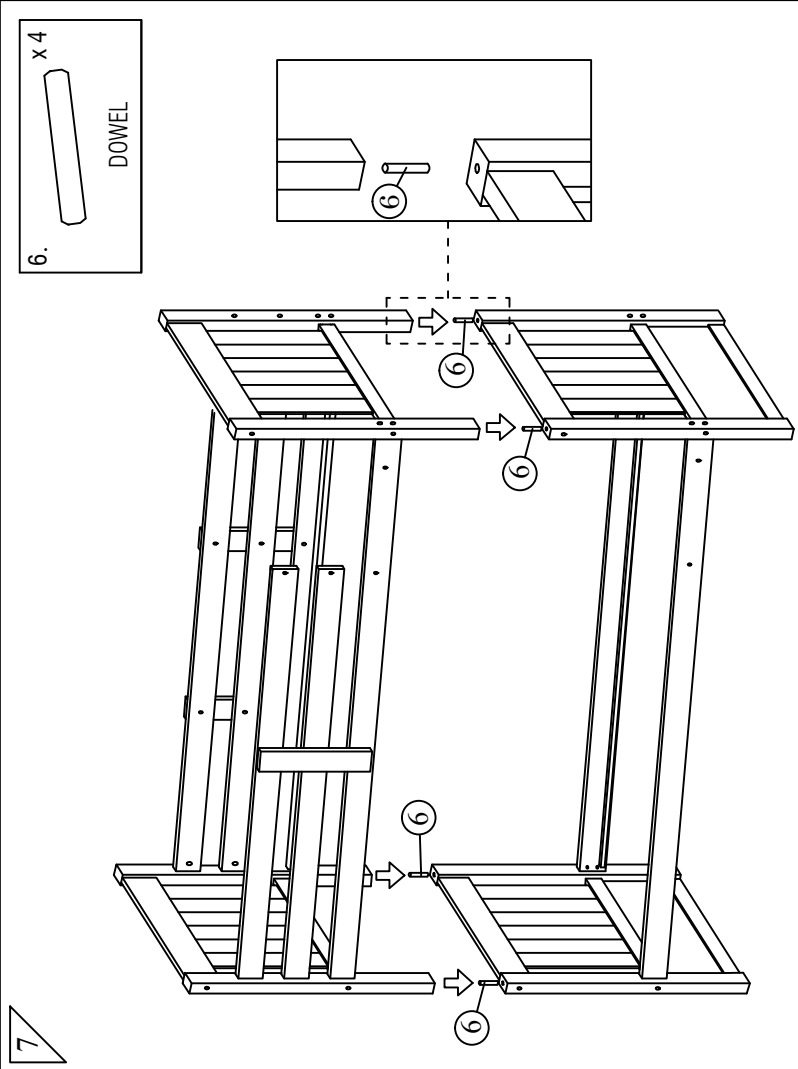
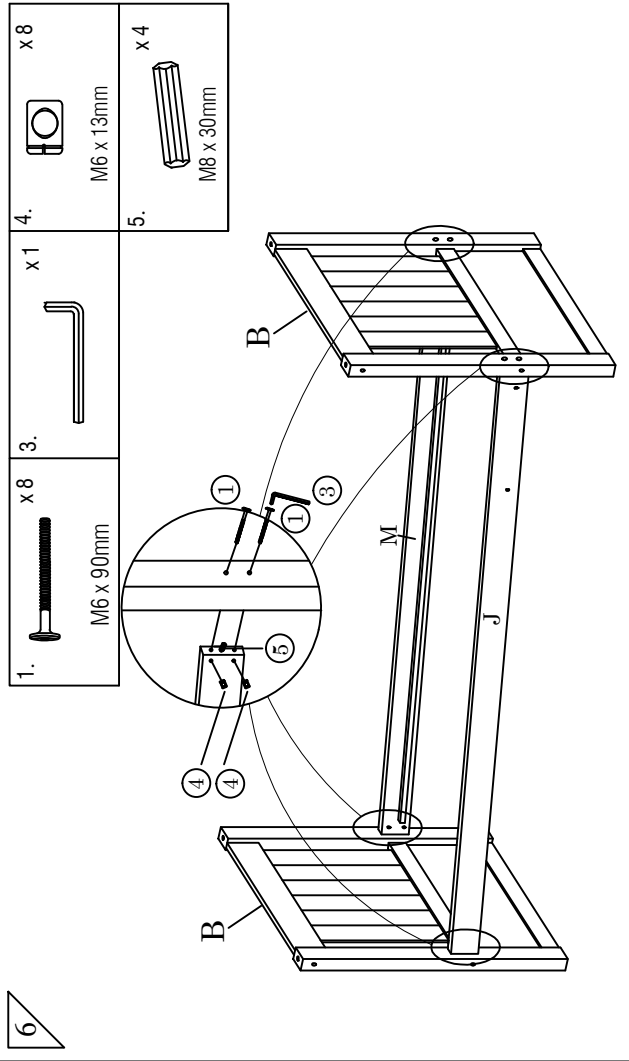
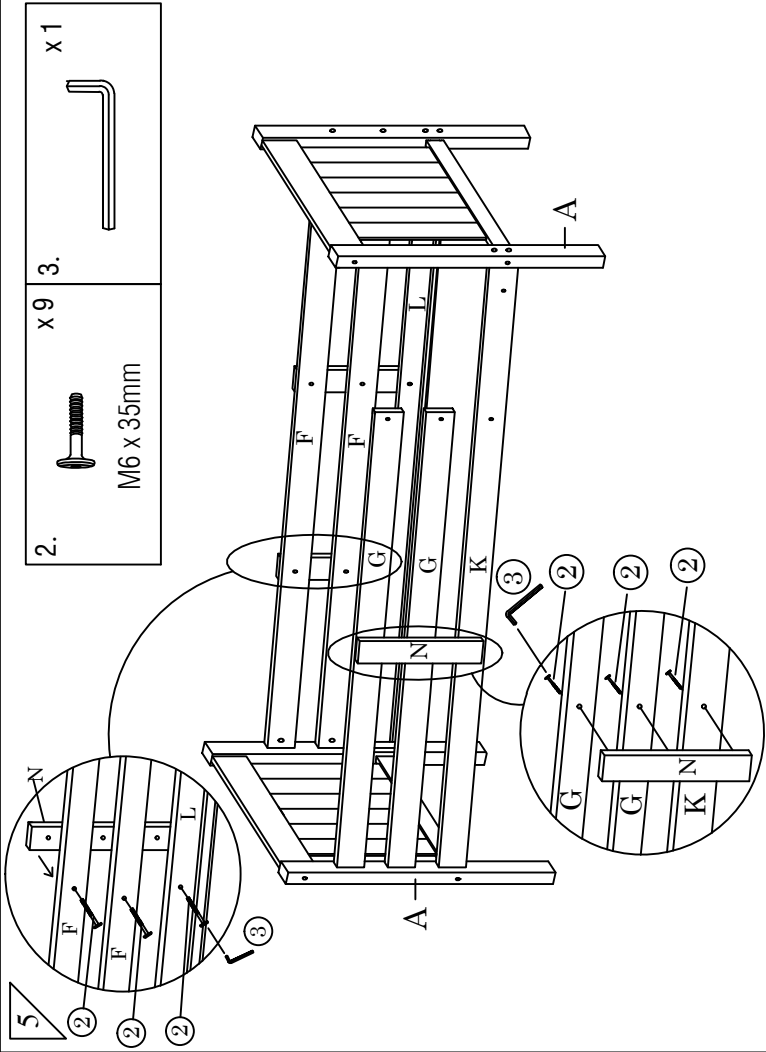


4

1.	x14	x14
	M6 x 90mm	M6 x 13mm
5.	x10	x1
	M8 x 30mm	



ASSEMBLY INSTRUCTION



ASSEMBLY INSTRUCTION

9

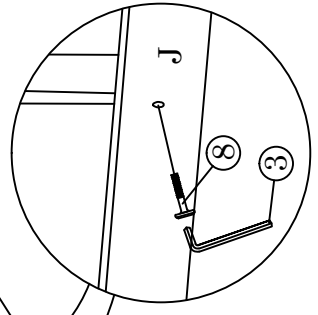
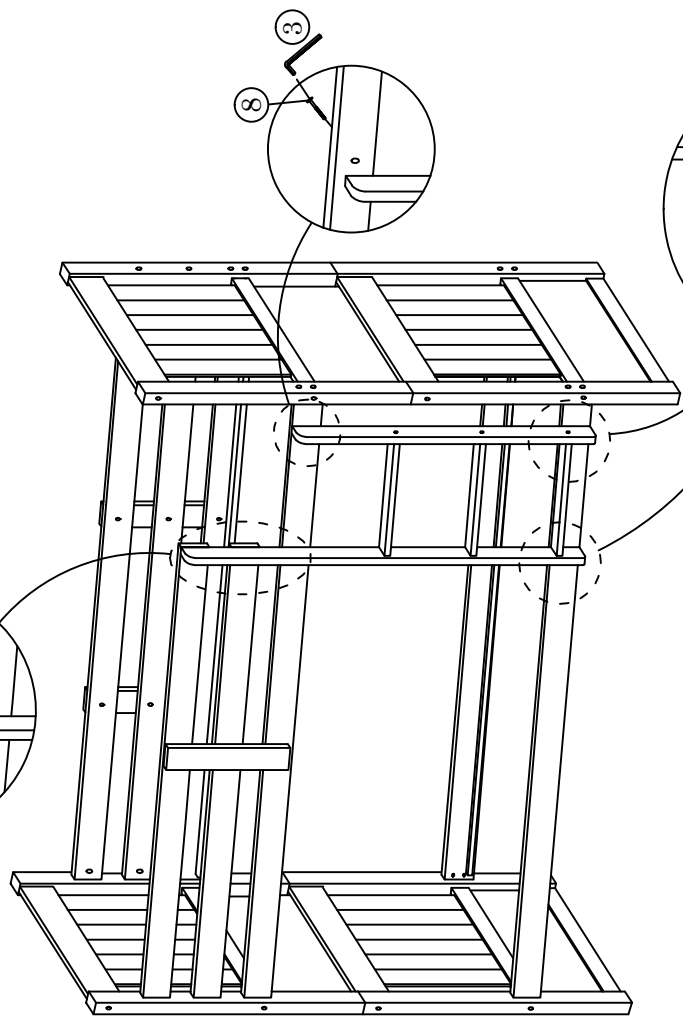
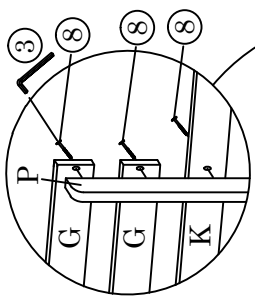
3. x1 8.



x6



M6 x 50mm



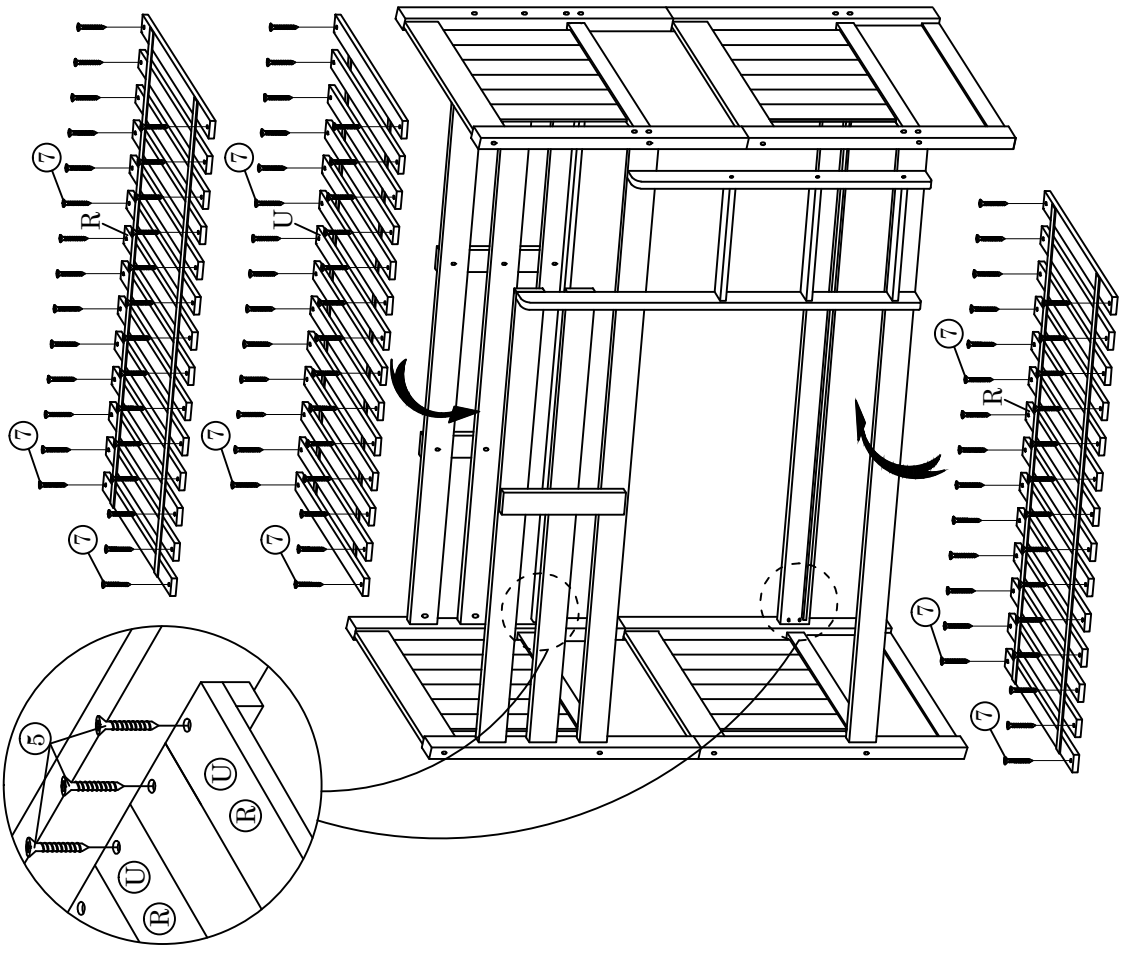
10

"You must screw in each and every Slat with screws provided - please note that failure to do so will affect the structural integrity of the bed"

7. x84



M4 x 32mm



ASSEMBLY INSTRUCTION

11

