






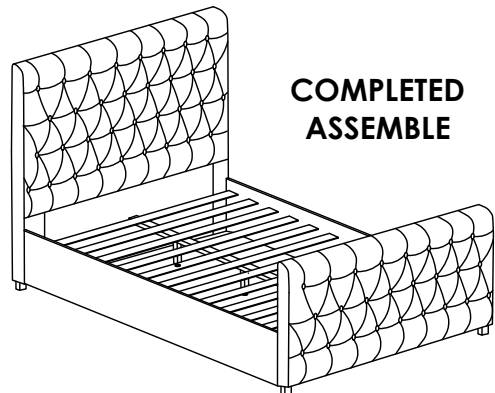


ASSEMBLY INSTRUCTIONS

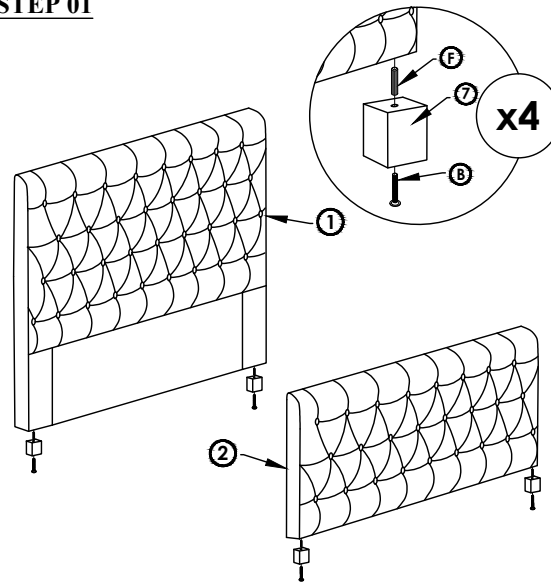
MODEL : BELLA KING BED

Part List		
No.	Description	Qty.
1	Headboard	1
2	Footboard	1
3	Side rail	2
4	Center Rail	2
5	Center Support Leg	6
6	Support Rail	13
7	Leg	4

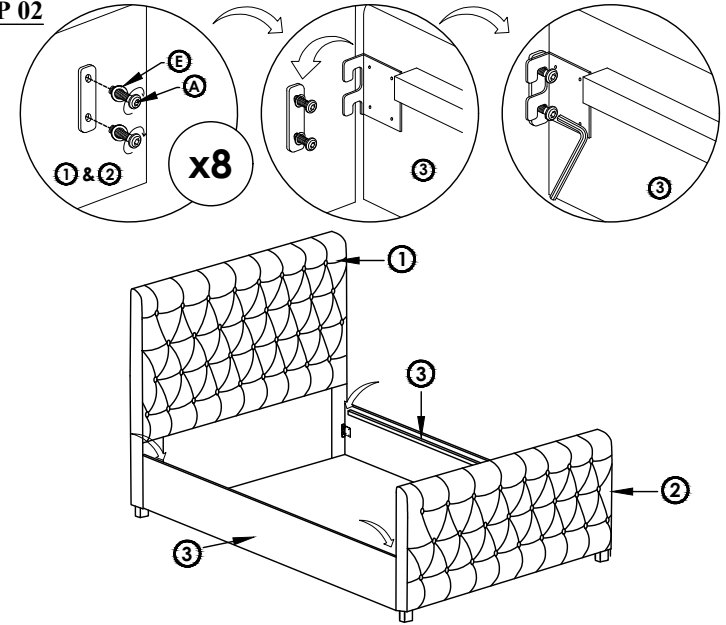
Hardware List		
No.	Description	Qty.
A	JCBC M6 X 30mm 	8
B	Jcbc M6 x 60mm 	10
C	Csk M4 x 32mm 	26
D	Allen key M4 	1
E	Flat Washer 1/4 (2MM) 	8
F	Wood Dowel M10 x 40mm 	4
G	Adjuster 	6



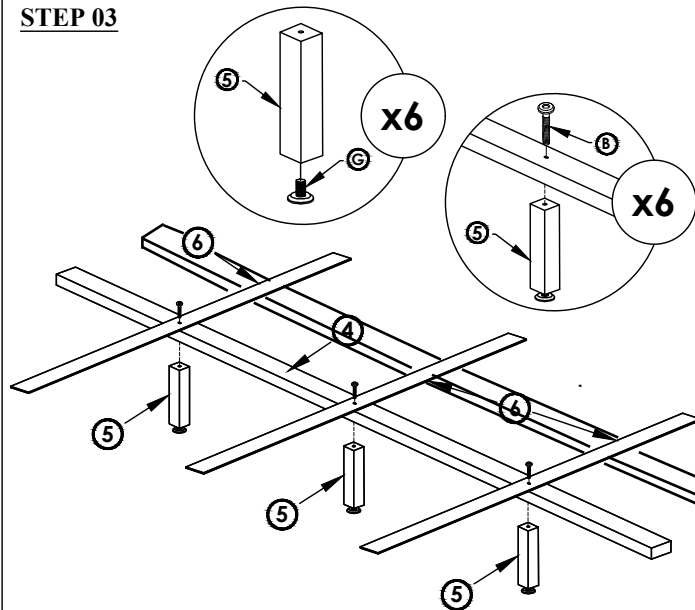
STEP 01



STEP 02



STEP 03



STEP 04

