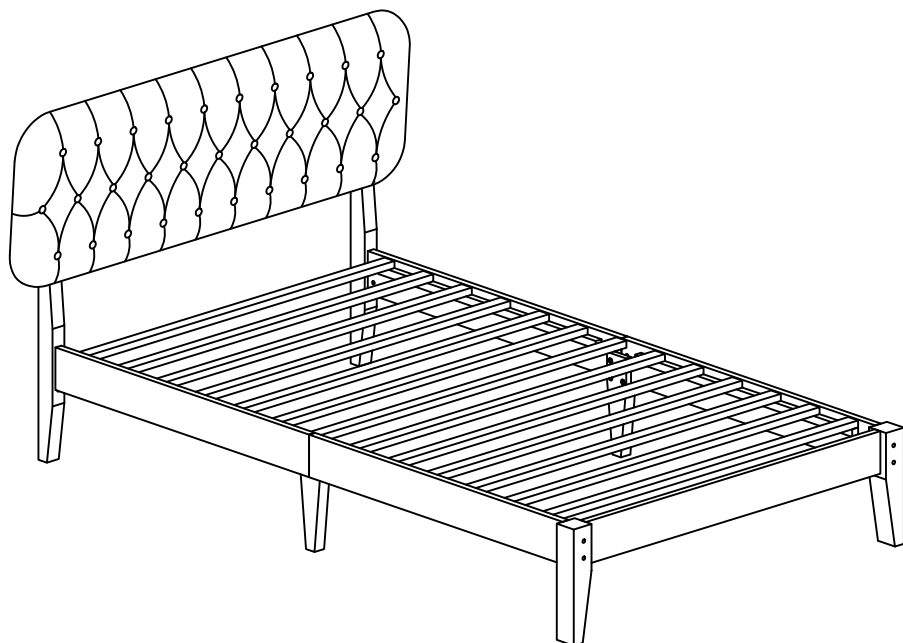


MODEL:HALO KING SINGLE BED

Thank you for purchasing our product!

Before you start , here is some helpful advice :

1. We suggest you spend a short time reading through this leaflet and then follow the simple step by step instructions.
2. Owing to the size and weight of the product, we recommend that is assembled by two adults, on a carpeted or padded area, in the room that it is intended for . Approximate assembly time: 30 minutes.
3. Please do not use any tools other than those provided or recommend in these instrustion.
4. Please do not throw away any of the packaging or instructions until you have checked all the components and hardware and the furniture is fully assembled.
5. Assemble all components loosely until advised to tighten. Depending on use it may be necessary to tighten the components from time to time, so please save the tools that have been provided.
6. Please keep all pieces out of reach of small children.



ASSEMBLY COMPLETED



Please ensure the furniture rests on an even and flat surface. If the product wobbles or feels loose, double-check all bolts and/or screws are properly tightened and secured.



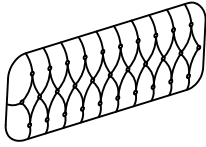
Keep this handy!

Please retain this instruction manual and any order-related information for future reference.

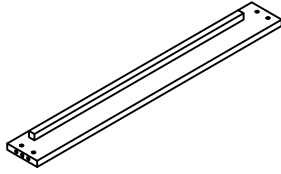


**2 - Persons
Recommended**

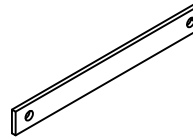
Parts supplied for assembly



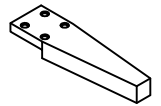
Head Board
A X 1 Piece



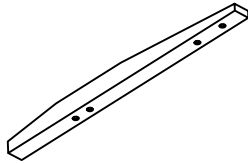
Side Rail R&L
B X 4 Piece



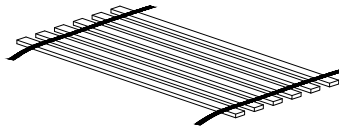
Foot Board
C X 1 Piece



Side Leg
D X 2 Pieces



Head Board Leg
E X 2 Pieces

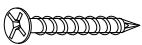


Slat
F X 2 Piece



Foot Board Leg
G X 2 Pieces

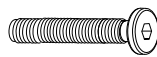
Hardware supplied for assembly



M4 x 32 Screw
1 X 24 Pieces



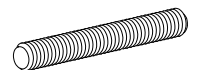
Hex Nut M8
2 X 2 Pieces



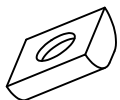
JCBC M6 x 90
3 X 8 Pieces



JCBC M6 x 35
4 X 12 Pieces



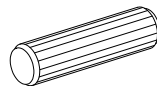
M8 JCBB
5 X 2 Pieces



Washer
6 X 2 Pieces



Barrel Nut
7 X 8 Pieces



WOOD DOWEL
 M10 X 40
8 X 8 Pieces

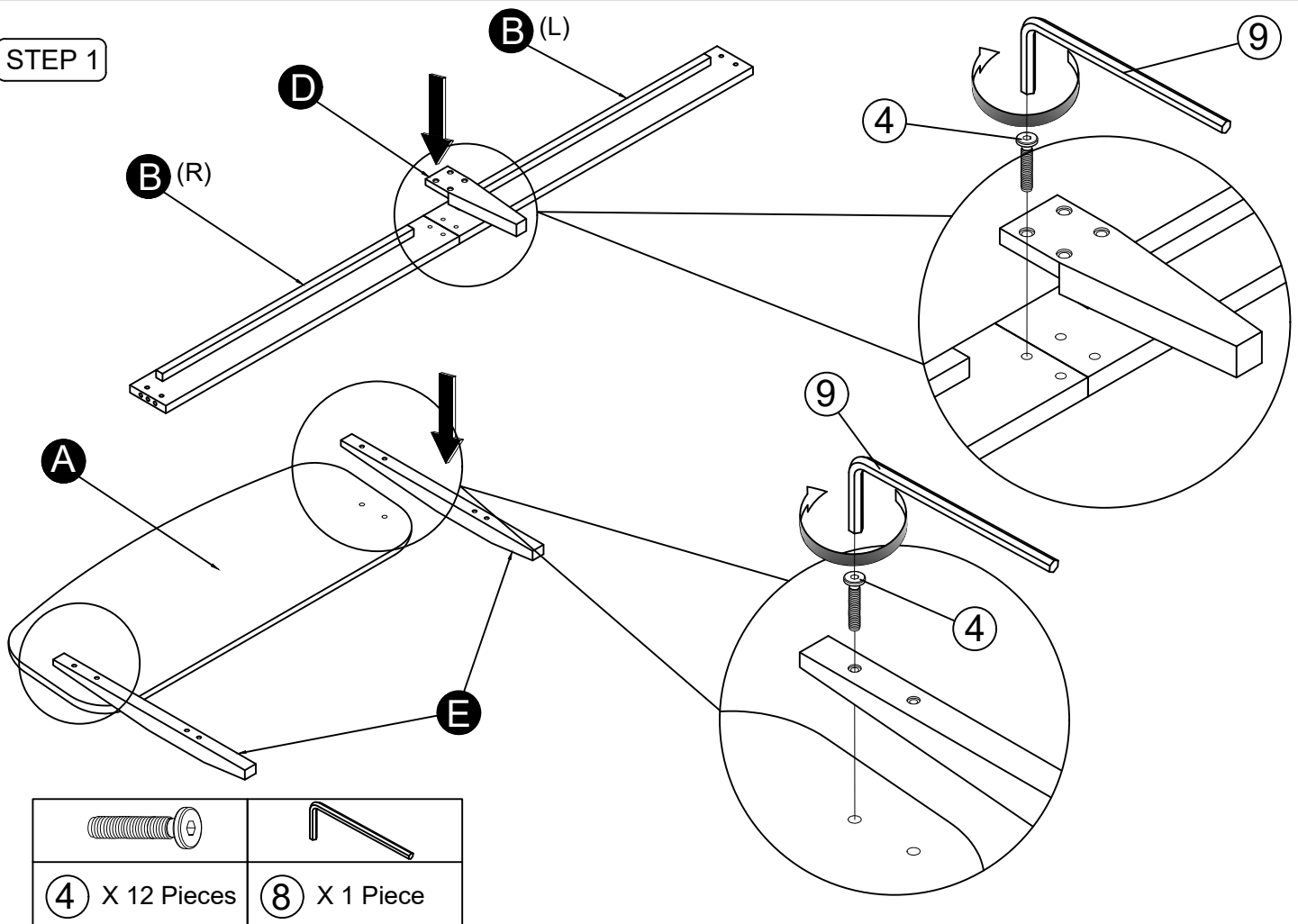


M4 Allen Wrench
9 X 1 Piece

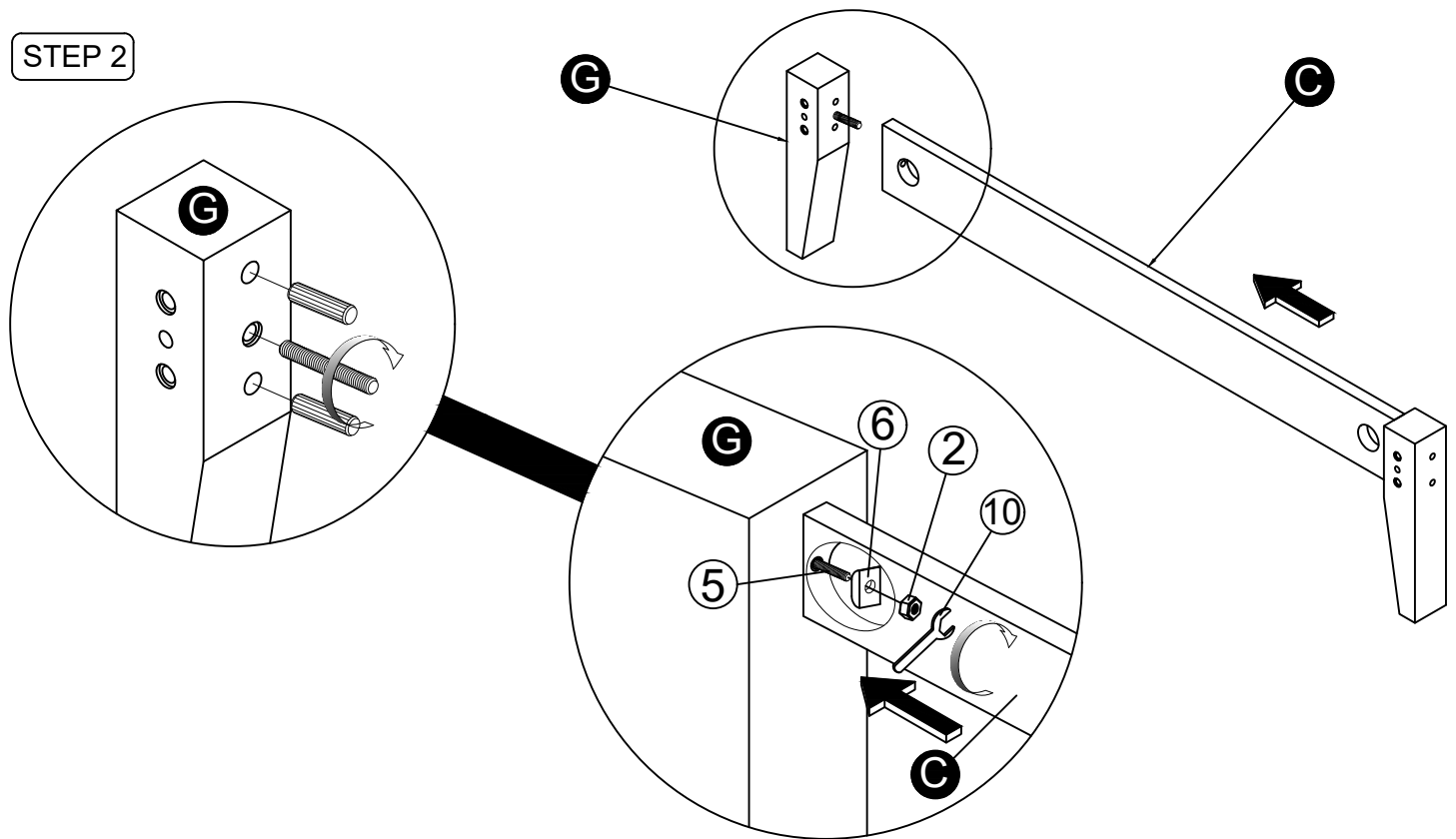


Hex Key Spanner
 M8
10 X 1 Piece

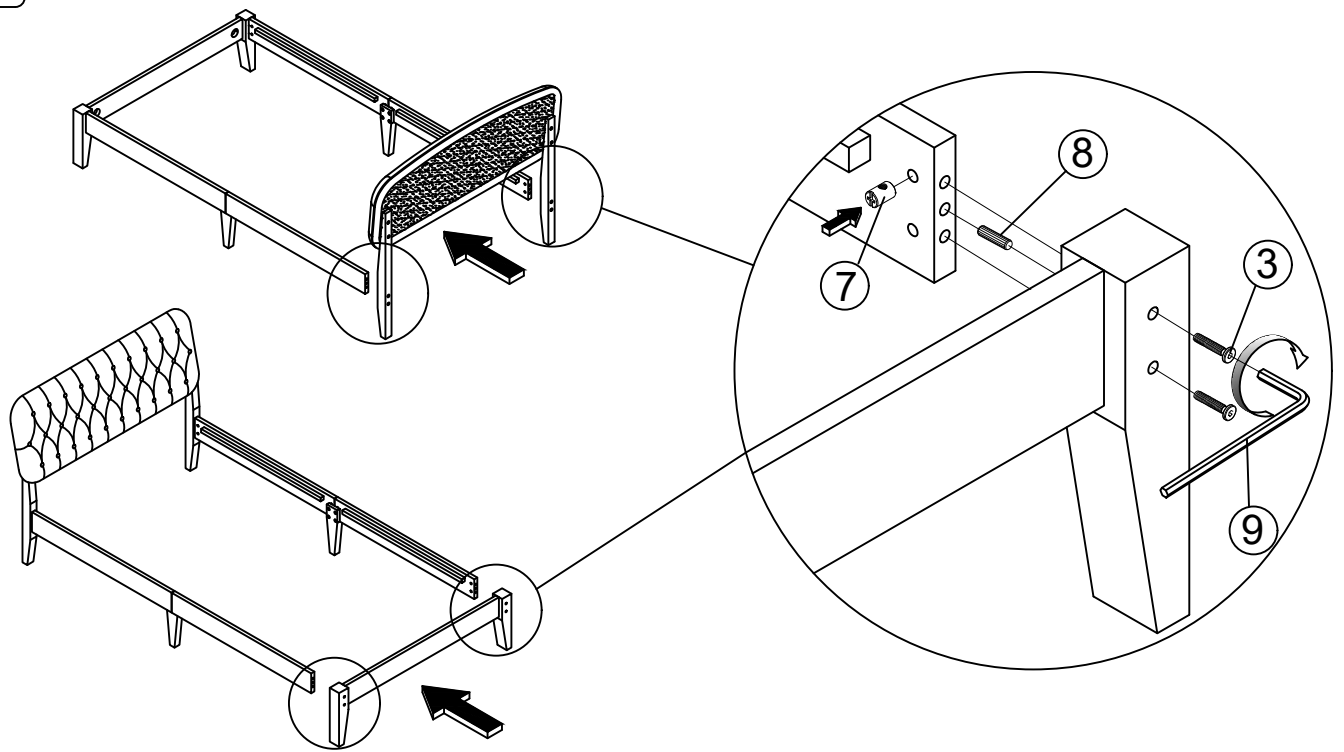
STEP 1



STEP 2

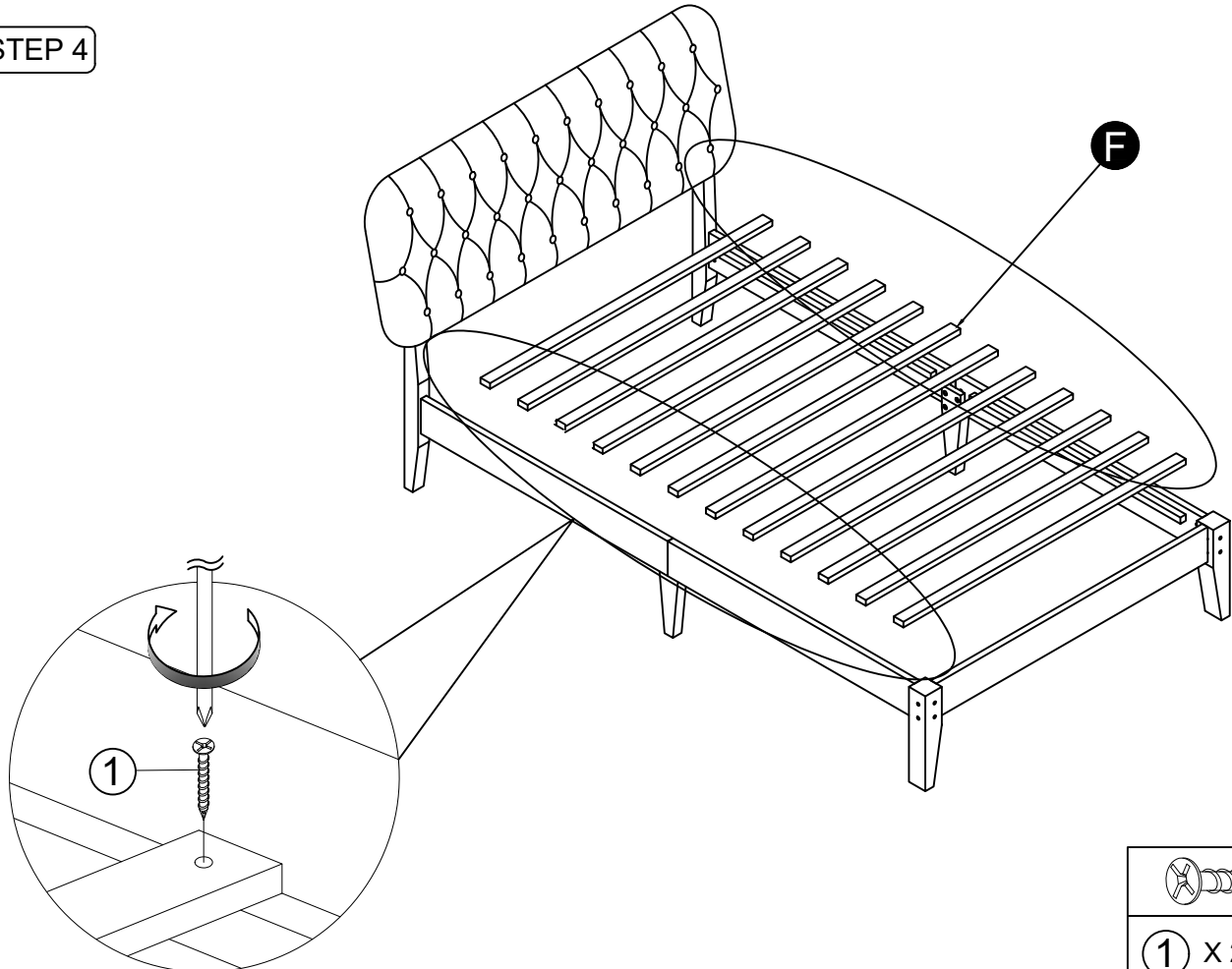


STEP 3



⑧ X 4 Pieces	⑦ X 8 Pieces	③ X 8 Pieces	⑨ X 1 Piece

STEP 4



① X 24 Pieces