

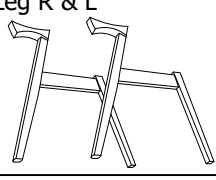
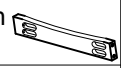
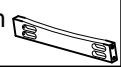
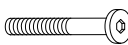

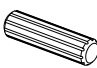
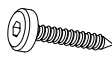
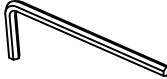



# ASSEMBLY INSTRUCTIONS

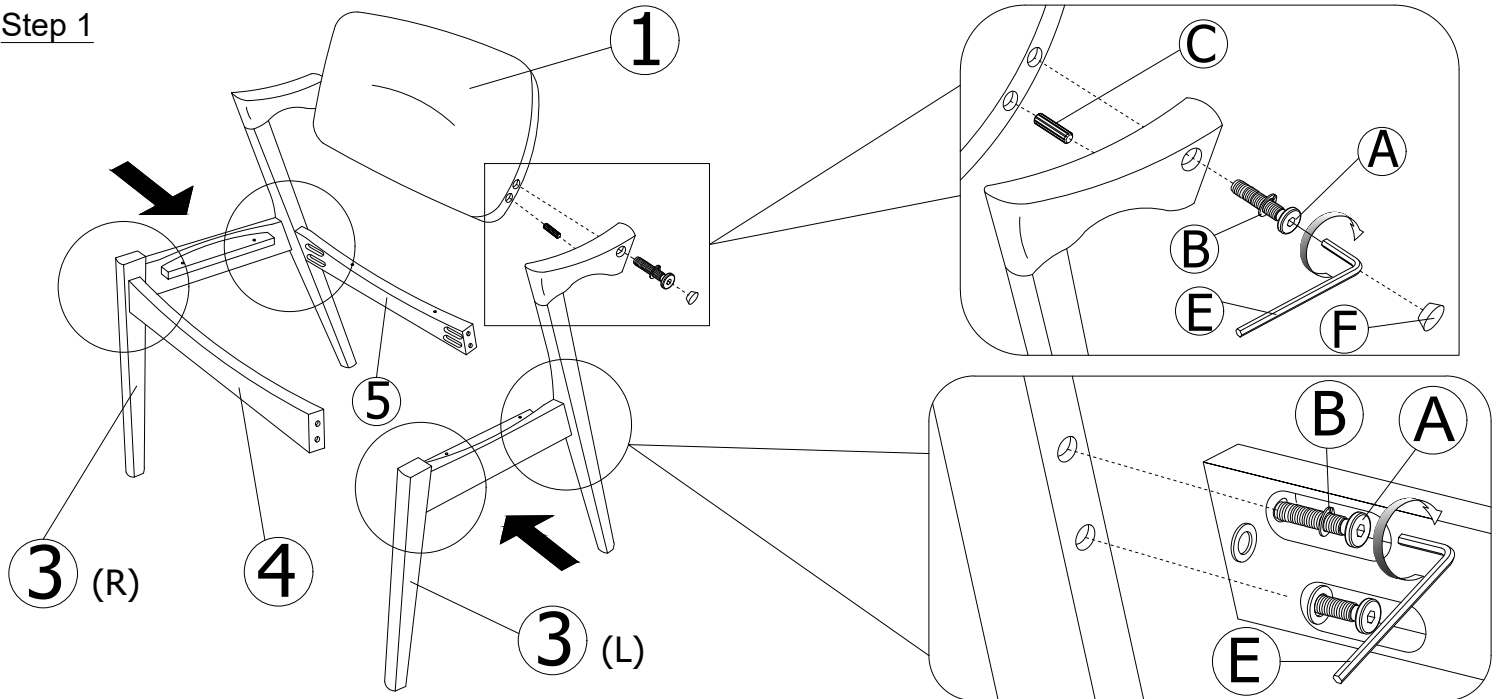
MODEL : DC 1007

ITEM	PART NAME	QTY
1	Chair Back 	1 PC
2	Cushion Seat 	1 PC
3	Leg R & L 	2 PCS
4	Front Apron (Long) 	1 PC
5	Front Apron (Short) 	1 PC

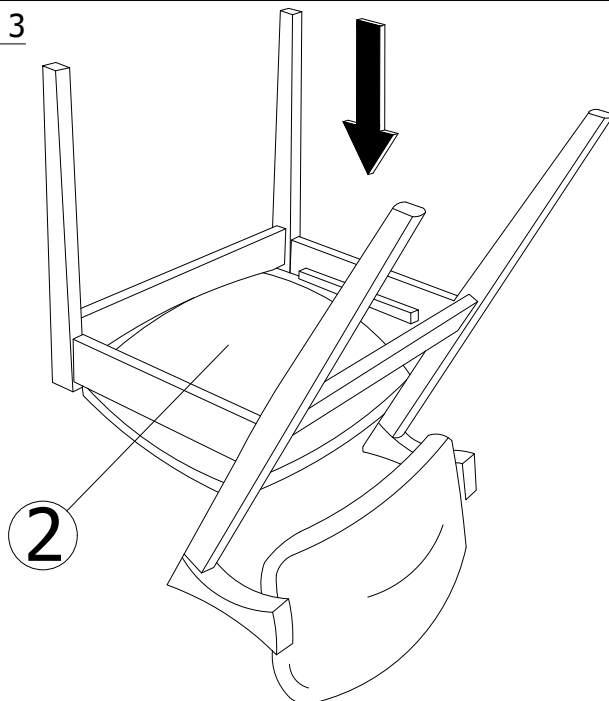
ITEM	HARDWARE NAME	QTY
A	JCBC BOLT M6 X 45 mm 	10 PCS
B	SPRING WASHER M6 X 13 	10 PCS
C	WOOD DOWER M8 X 30 	2 PCS
D	JCBC W M7 x 25 mm 	4 PCS
E	ALLEN KEY (LONG) 	1 PC
F	WOOD BOTTON 14.5mm 	2 PCS



## Step 1



## Step 3



## Step 4

