






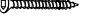



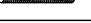

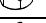

ASSEMBLY INSTRUCTIONS

MODEL : FINN 2 BED

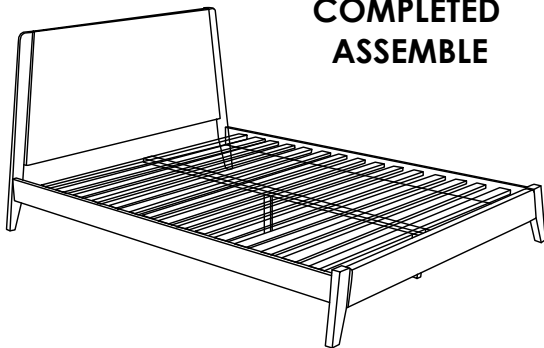
Part List

No.	Description	Qty.
1	Headboard	1
2	Footboard	1
3	Side Rail L/R	2
4	Center Rail	1
5	Center Support Leg	3
6	Support Rail	13

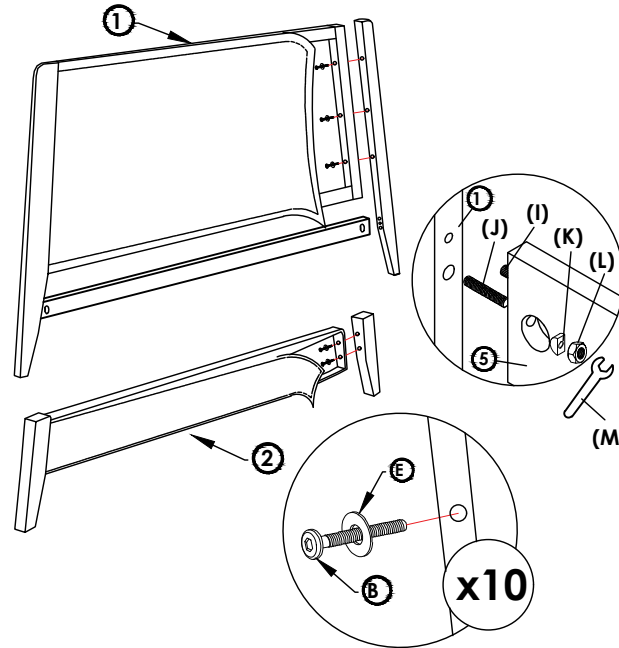
Hardware List

No.	Description	Qty.
A	JCBC M6 x 30mm 	8
B	JCBC M6 x 35mm 	10
C	JCBC M6 x 60mm 	3
D	FIAT WASHER M6 x 30mm 	8
E	FLAT WASHER M6 x 35mm 	10
F	CSK M4 x 32mm 	26
G	ALLEN KEY M4 	1
H	ADJUSTER 	3
I	WOOD DOWEL M10 x 40mm 	2
J	JCBB M8 x 65mm 	2
K	BEND WASHER 	2
L	M8 HEX NUT 	2
M	M8 HEX KEY SPANNER 	1

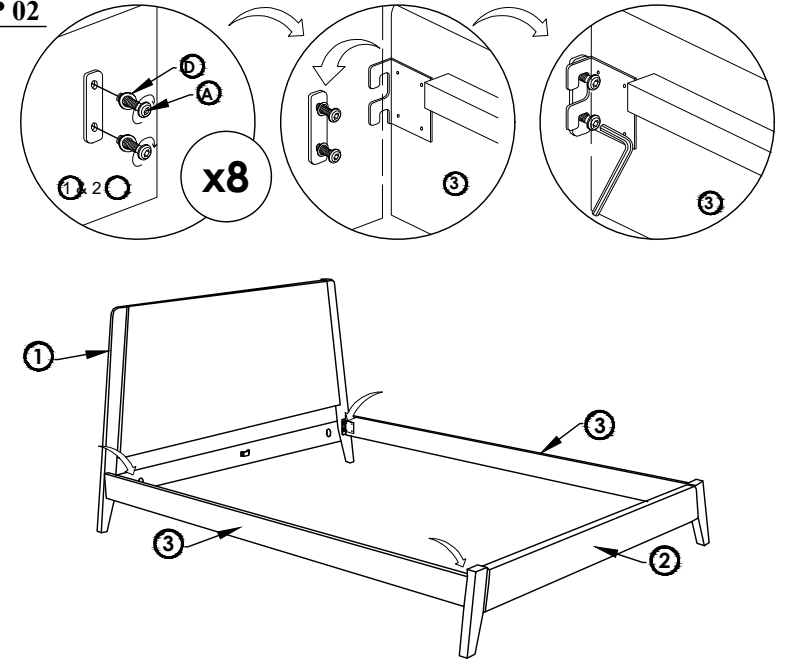
COMPLETED ASSEMBLE



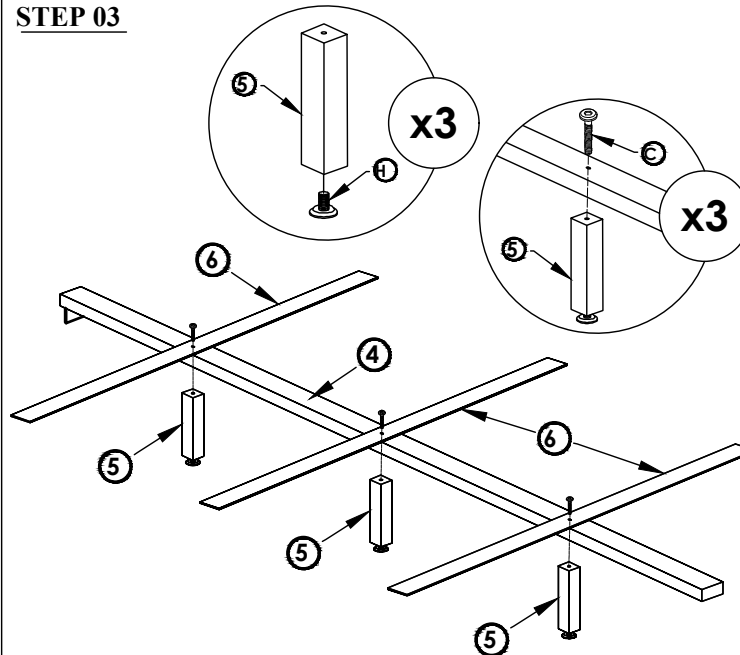
STEP 01



STEP 02



STEP 03



STEP 04

